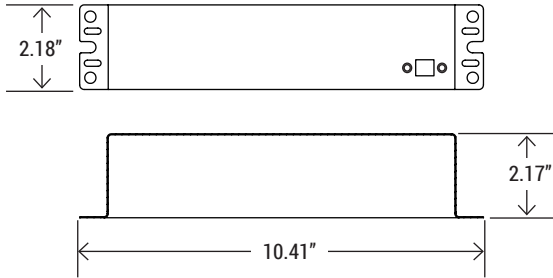


| | | | |
|---------------|--------|-------|-------|
| Project Name: | Notes: | Date: | Type: |
|---------------|--------|-------|-------|



DESCRIPTION

Portor's PT-A-EMO, available in 8W and 12W, is UL recognized and allows the LED fixture to be used for both normal and emergency operation. In the event of a power failure, the emergency driver will operate the fixture for 90 minutes.

FEATURES

- Dial switchcode selector for rated voltage of luminaire.
- Long life, high temperature rated recyclable Ni-Cad battery.
- Includes test switch and charge indicator accessory kit.
- Dual flex MC cable connectors.
- Meets or exceeds all National Electrical Code and Life Safety Code Emergency Lighting regulations.

UL CONDITIONS OF ACCEPTABILITY

- Must be factory wired Battery temperature must not exceed 50°

TECHNICAL SPECIFICATION

| | 8W | 12W |
|-----------------------|---------------------------------|-------------|
| OUTPUT POWER | 8W | 12W |
| INPUT VOLTAGE | 100-277 VAC | 100-277 VAC |
| POWER FREQUENCY | 50/60 Hz | 50/60 Hz |
| INPUT CURRENT | 65mA max | 65mA max |
| MAX. CONNECTED LOAD | 0.5 A | 0.75 A |
| MAX. AC DRIVER OUTPUT | 5 A | 5 A |
| INPUT POWER RATING | 4.8W max | 4.8W max |
| RECHARGE TIME | 24 hrs | 24 hrs |
| OUTPUT VOLTAGE | 12-48 VDC | 12-48 VDC |
| EMERGENCY OPERATION | 90 mins | 90 mins |
| BATTERY TYPE | High temperature Nickel-Cadmium | |
| AMBIENT TEMP. | 32°F - 122°F | |
| WEIGHT | 7.3 lbs | 8.3 lbs |
| WARRANTY | 5 year limited | |



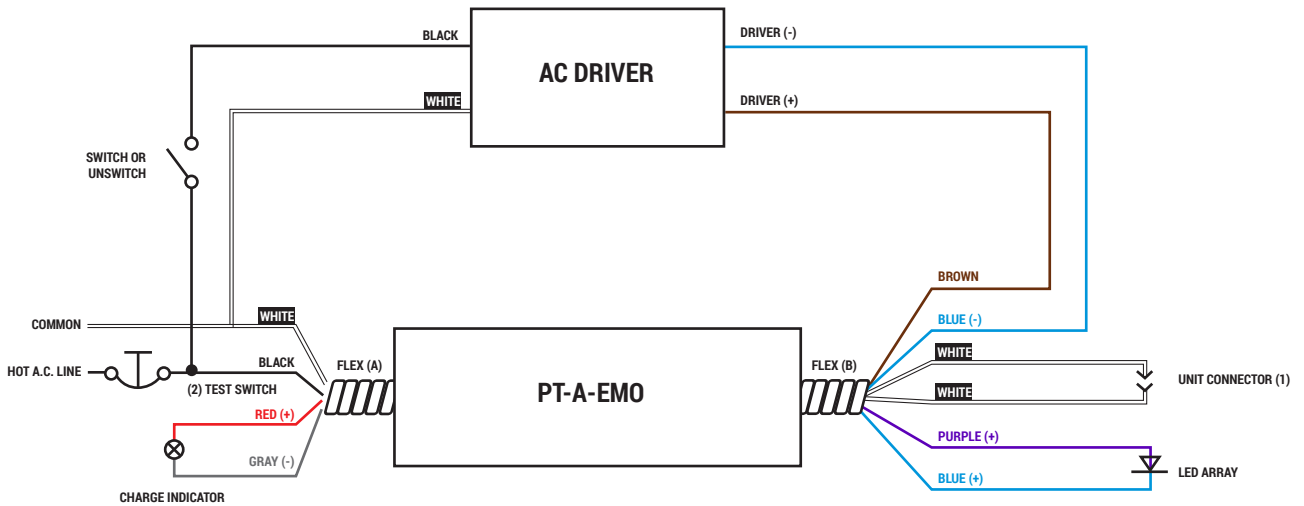
| | | | |
|---------------|--------|-------|-------|
| Project Name: | Notes: | Date: | Type: |
|---------------|--------|-------|-------|



DIAL SWITCH CODE SELECTOR FOR SUITABLE RATED VOLTAGE OF LUMINAIRE

| MODEL | EMERGENCY POWER | SWITCH CODE | VOLTAGE | CURRENT |
|----------|-----------------|-------------|---------|---------|
| PT-A-EMO | 8W | 1 | 12-16V | 0.5A |
| | | 2 | 16-24V | 0.33A |
| | | 3 | 24-36V | 0.22A |
| | | 4 | 36-48V | 0.16A |
| | 12W | 1 | 12-16V | 0.75A |
| | | 2 | 16-24V | 0.5A |
| | | 3 | 24-36V | 0.33A |
| | | 4 | 36-48V | 0.25A |

WIRING DIAGRAM



CAUTION:

- In order to avoid electric shock, during AC operation, do not touch or remove any wires.
- During emergency operation, before touching or disconnecting the wires, press the test button to turn the LED lamp and indicator light off to avoid electric shock .

OPERATION:

WHEN AC POWER FAILS, EMERGENCY LED DRIVER IMMEDIATELY SWITCHES TO THE EMERGENCY MODE, OPERATING THE LEDS AT A REDUCED LUMEN OUTPUT FOR A MINIMUM OF 90 MINUTES. WHEN AC POWER IS RESTORED, THE EMERGENCY DRIVER AUTOMATICALLY RETURNS TO THE CHARGING MODE.