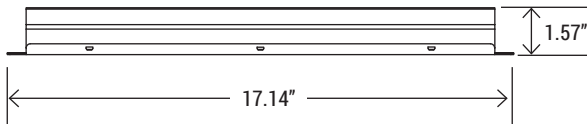
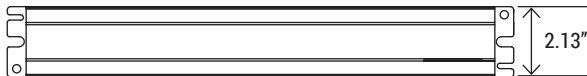


Project Name:	Notes:	Date:	Type:
---------------	--------	-------	-------



DESCRIPTION

Portor's PT-A-EM02, available in 25W, is UL recognized and allows the LED fixture to be used for both normal and emergency operation. In the event of a power failure, the emergency driver will operate the fixture for 90 minutes.

FEATURES

- Long life recyclable Lithium battery.
- Test switch and charge indicator.
- Used for exterior or interior of luminaire.
- Single flex MC cable connectors.
- Field or factory installed.

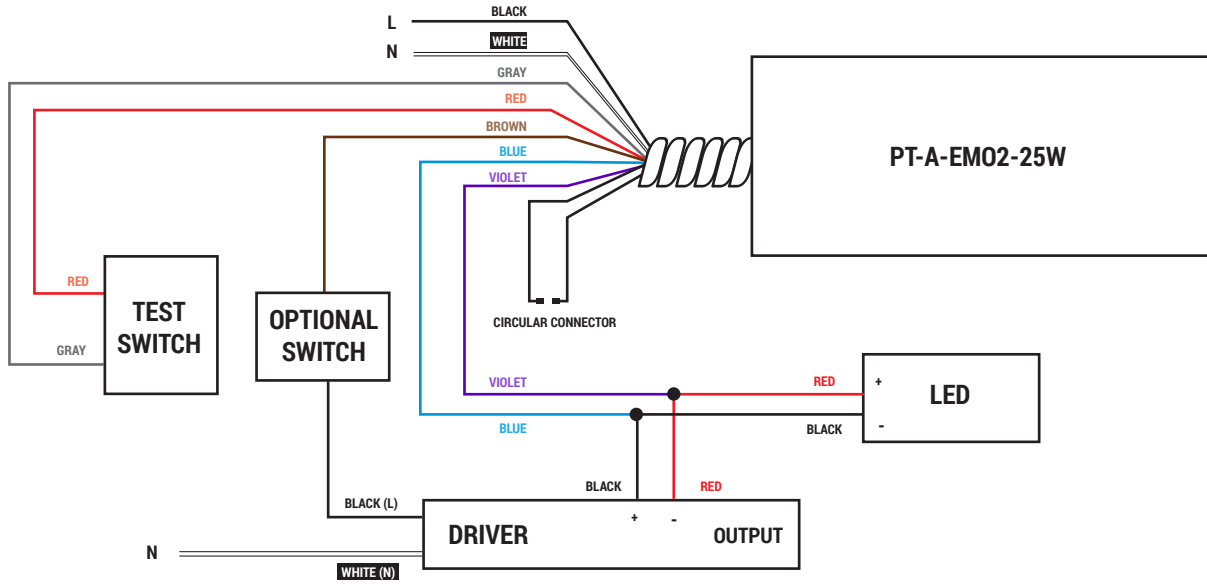
TECHNICAL SPECIFICATION

OUTPUT POWER	25W
INPUT VOLTAGE	100-277 VAC
POWER FREQUENCY	50/60 Hz
INPUT CURRENT	60mA max
INPUT POWER RATING	8W max
RECHARGE TIME	36 hrs
OUTPUT VOLTAGE	18-54 VDC
OUTPUT CLASS	UL LELV (Output protection self-resetting)
EMERGENCY OPERATION	90 mins
BATTERY TYPE	Lithium
AMBIENT TEMP.	32°F - 122°F
WARRANTY	5 year limited



Project Name:	Notes:	Date:	Type:
---------------	--------	-------	-------

WIRING DIAGRAM



CAUTION:

- In order to avoid electric shock, during AC operation, do not touch or remove any wires.
- During emergency operation, before touching or disconnecting the wires, press the test button to turn the LED lamp and indicator light off to avoid electric shock .

OPERATION:

WHEN AC POWER FAILS, EMERGENCY LED DRIVER IMMEDIATELY SWITCHES TO THE EMERGENCY MODE, OPERATING THE LEDS AT A REDUCED LUMEN OUTPUT FOR A MINIMUM OF 90 MINUTES. WHEN AC POWER IS RESTORED, THE EMERGENCY DRIVER AUTOMATICALLY RETURNS TO THE CHARGING MODE.