

Project Name:	Notes:	Date:	Type:
---------------	--------	-------	-------



PT-A-MSH-C

Dimmable Microwave Motion Sensor

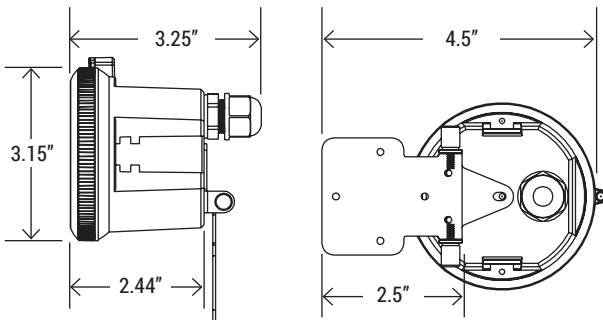
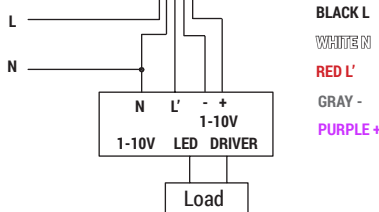
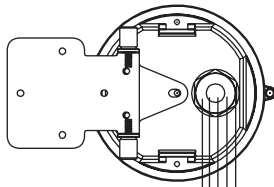
DESCRIPTION

Portor's fully dimmable microwave motion sensor allows a full range of control, including standby time, hold time, daylight harvesting, and sensitivity detection. The Type C sensor is most commonly used with Portor's Round High bays.

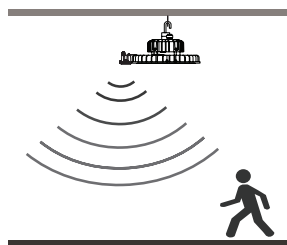
TECHNICAL SPECIFICATION

OPERATING VOLTAGE	120-277VAC, 50Hz/60Hz
SWITCHING CAPACITY	Max 3.0A@120VAC / Max. 2.0A@277VAC
STAND-BY POWER	≤1W
DETECTION AREA	25%/50%/75%/100%
HOLD TIME	5s/30s/1min/3min/5min/10min/20min/30min
DAYLIGHT THRESHOLD	2Lux/10Lux/30Lux/50Lux 80Lux/120Lux/Disable
STAND-BY PERIOD	0s/10s/30s/1min/5min/10min/30min/+∞
STAND-BY DIMMING LEVEL	10%/20%/30%/50%
MICROWAVE FREQUENCY	5.8GHz±75MHz
MICROWAVE POWER	<0.3mW
MOUNTING HEIGHT	Max. 52 ft
DETECTION RANGE	Max. Diameter: 49 ft
OPERATING TEMPERATURE	-31°F~+140°F
IP RATING	IP65
DETECTION ANGLE	30°-150°

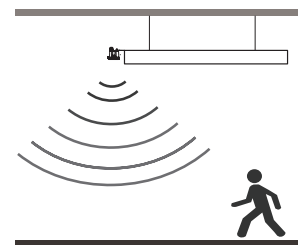
**Note: For Motion Sensor settings, please refer to remote control*



INSTALLATION METHOD



Type C: For Round High Bay



Type D: For Linear High Bay



*PT-A-MSH-RC
Motion Sensor Remote Control
(Needed to program motion sensor,
sold separately)

