

Project Name:

Notes:

Date:

Type:



**FOR**  
**ROUND** **POLE**

**AVAILABLE COLORS**



Black  
(RAL9017)

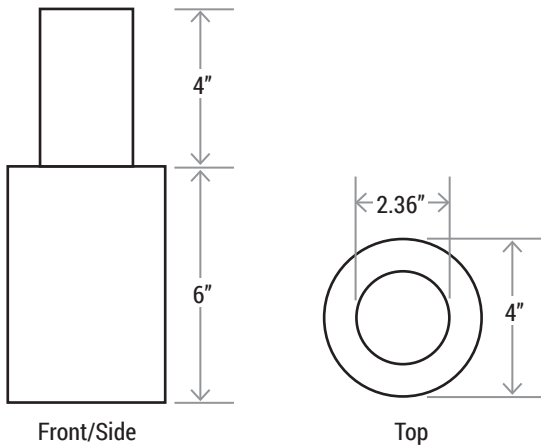


White\*  
(RAL9016)



Bronze\*  
(RAL8017)

*\*Custom color order, with additional cost*



**DESCRIPTION**

The 4" vertical round pole tenon adapter, base is with 4 screw holes.

**SPECIFICATIONS**

- Provides wiring access
- Built-in 2-3/8" outside diameter tenon
- Suggested 3/8" diameter bolts for mounting
- Easy mounting a fixture with our slip-fitter

**MATERIALS**

- Made of carbon steel
- Gloss finished available