

Project Name:	Notes:	Date:	Type:
---------------	--------	-------	-------



AVAILABLE COLORS



Black
(RAL9017)

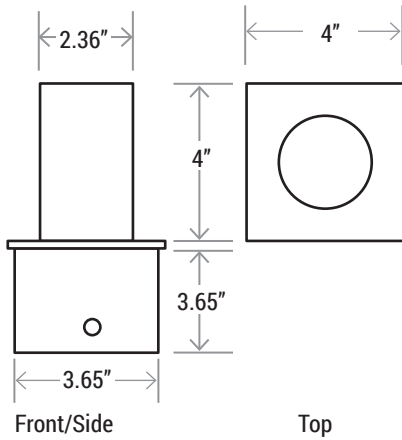


White*
(RAL9016)



Bronze*
(RAL8017)

**Custom color order, with additional cost*



DESCRIPTION

The 4" single vertical square pole tenon, base is with 4 screw holes.

SPECIFICATIONS

- Provides wiring access
- Built-in 2-3/8" outside diameter tenon
- Suggested 3/8" diameter bolts for mounting
- Easy mounting a fixture with our slip-fitter

MATERIALS

- Made of carbon steel
- Base plate is .19" thick
- Gloss finished available