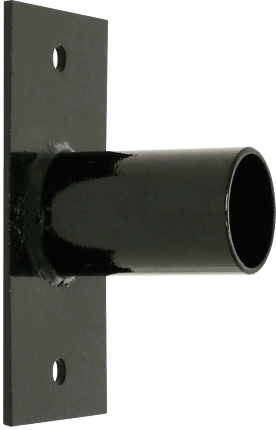


Project Name:

Notes:

Date:

Type:



**AVAILABLE COLORS**



Black  
(RAL9017)

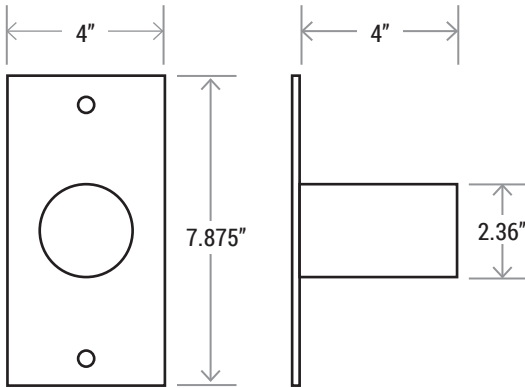


White\*  
(RAL9016)



Bronze\*  
(RAL8017)

*\*Custom color order, with additional cost*



Front

Side/Top

**DESCRIPTION**

The wall mount bracket with 2-3/8" tenon attaches flood and area fixtures to almost any surface: wall, roof, or wood pole.

**SPECIFICATIONS**

- Provides wiring access
- Built-in 2-3/8" outside diameter tenon
- Suggested 3/8" diameter bolts for mounting
- Mounting holes are spaced 3-1/4" apart
- Easy mounting a fixture with our slip-fitter

**MATERIALS**

- Made of carbon steel
- Base plate is .19" thick
- Gloss finished available