

Project Name:	Notes:	Date:	Type:
---------------	--------	-------	-------

DESCRIPTION

Light up the night with the ALG Area Light! Perfect for showcasing outdoor merchandise or providing safety and security. Available with several mounting options.

Ideal use for parking lots, roadways, car dealership, walkways, school/campuses, shopping centers and industrial areas.



CONSTRUCTION

Body is Low-Profile Die-Cast Aluminum Housing and has a Sleek Design. Built rugged for outdoor weather and waterproof.

ELECTRICAL

Luminaire is built with the highest quality 100-277VAC universal drivers and a water resistant LED chips (custom order available for 347-480VAC driver).

OPTICAL SYSTEM

Type III optics designed to reduce glare and improved light distribution through precision formed lens optics (custom order available for Type V optics).

DIMMING

0-10V dimmable standard. Photocell ready, motion sensor/daylight harvesting ready.

DIMMING

Multiple mounting options available: slipfitter, square-pole mount, round-pole mount, wall mount and trunnion mount.

CERTIFICATION

ETL Listed for wet location, FCC, RoHS, CE, IP65 Rated

TECHNICAL SPECIFICATION

WATTAGE	240W
LUMENS	28,620 lumens
EFFICACY	120 lm/W
VOLTAGE	AC100-277V (347-480V custom order)
POWER FREQUENCY	50/60 Hz
CCT	5000K (other CCT custom order)
CRI	Ra>82
DISTRIBUTION	Type 3 (Type 5 custom order)
WORKING TEMP.	-40°F - +122°F
IP RATING	IP65 Wet Location
DIMMABLE	0-10V dimming
SENSOR	Photocell/Motion Sensor ready
POWER FACTOR	>0.9
THD	≤10%
WARRANTY	5 year limited
PORTOR CAT#	PT-ALG-240W-5K

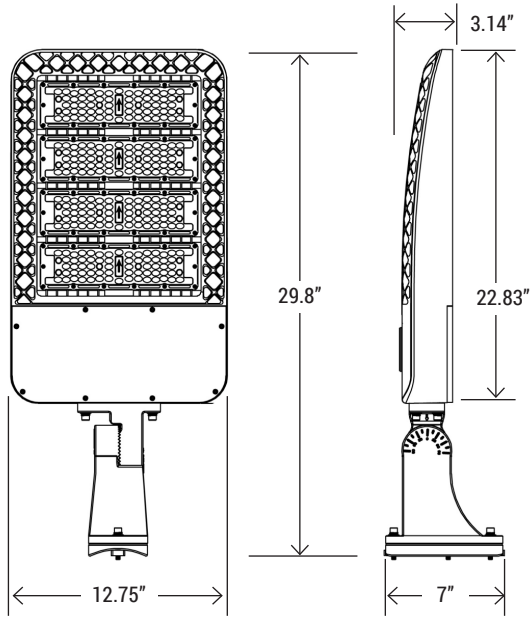


MODEL NUMBER(S)

MODEL#	WATTS	LUMENS	LM/WATT	CCT	CRI	DISTRIBUTION	VOLTAGE
HG-SL-100W	100W	13,143	130	5000K	>82	Type 3	AC 100/277V
HG-SL-150W	150W	17,531	120	5000K	>82	Type 3	AC 100/277V
HG-SL-200W	200W	26,480	135	5000K	>82	Type 3	AC 100/277V
HG-SL-240W	240W	28,620	120	5000K	>82	Type 3	AC 100/277V
HG-SL-300W	300W	36,290	125	5000K	>82	Type 3	AC 100/277V

Project Name:	Notes:	Date:	Type:
---------------	--------	-------	-------

DIMENSION



AVAILABLE OPTION SENSOR



Microwave Motion Sensor



Photocell Sensor

MOUNTING OPTIONS



PT-ALG-A-SF
Slipfitter



PT-ALG-A-RPM
Round Pole Mount



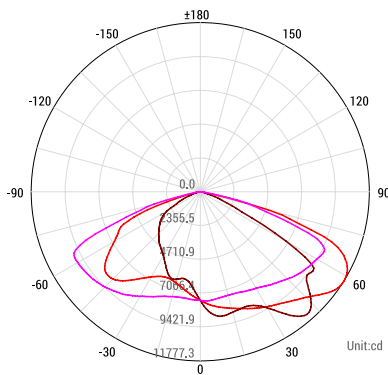
PT-ALG-A-SQM
Square Mount



PT-ALG-A-TM
Trunnion Mount

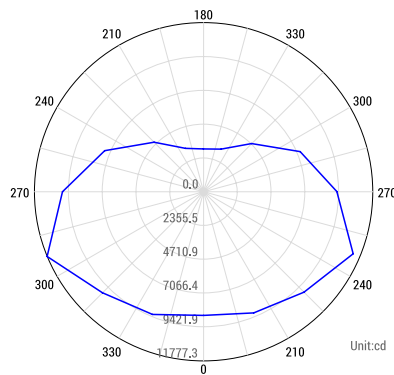
PHOTOMETRY

C Plane Distribution Diagram



C Plane	[50%MaxAng.]	[10%MaxAng.]
C292.5_112.5:	140.7	154.3
C0.0_180.0 :	86.6	138.4
C90.0_270.0 :	144.5	156.9

γ Cone Curve



γ Cone	[Max.Cand.]	[Min.Cand.]
γ58.0:	11777.350	2967.900