

Project Name:	Notes:	Date:	Type:
---------------	--------	-------	-------

DESCRIPTION

Say goodbye to your previous notions about back-lit panels! Portor's LED back-lit flat panel is a commercial grade luminaire utilizing a LED optical system to achieve superior performance and provides high uniformity, excellent efficiency and reduced glare in T-grid ceiling applications.

Ideal use for offices, conference rooms, school/campuses, retail stores and the health care industry.

CONSTRUCTION

Unlike previous back-lit panels, ours achieves the same, or lower depth as standard edge-lit panel. The frame is made of high-grade aluminum, and the back cover of the housing is zinc-coated iron. The LED driver is mounted in direct contact with the casting to promote low operating temperature and long life. Super lightweight, saving money on shipping costs.

ELECTRICAL

Luminaire is built with the highest quality 100-277VAC drivers.

DRIVER

Driver is fixed on the back of the panel or side to prevent mis-handling during shipment.

OPTICAL SYSTEM

Robust PMMA lens designed to reduce glare and improved light distribution through precision formed lens optics. Provides more lumen output than traditional edge-lit panels.

DIMMING

0-10V dimmable standard

CERTIFICATION

ETL Listed, FCC, RoHS

TECHNICAL SPECIFICATION

WATTAGE	40W
LUMENS	5,305 lumens
EFFICACY	137 lm/W
VOLTAGE	AC100-277V
POWER FREQUENCY	50/60 Hz
CCT	4000K
CRI	Ra>80
BEAM ANGLE	120°
WORKING TEMP.	50°F - 104°F
IP RATING	IP20 Suitable for damp locations
DIMMABLE	0-10V dimming
POWER FACTOR	>0.9
THD	≤15%
WARRANTY	5 year limited
PORTOR CAT#	PT-BLP-24/40W-4K



MODEL NUMBER(S)

MODEL#	WATTS	LUMENS	LM/WATT	CCT	CRI	VOLTAGE
BLIT-2X4-40DR-P1-40	40W	5,305	137	4000K	>80	AC 100/277V
BLIT-2X4-40DR-P1-50	40W	5,469	140	5000K	>80	AC 100/277V

Project Name:	Notes:	Date:	Type:
---------------	--------	-------	-------



Front



Back

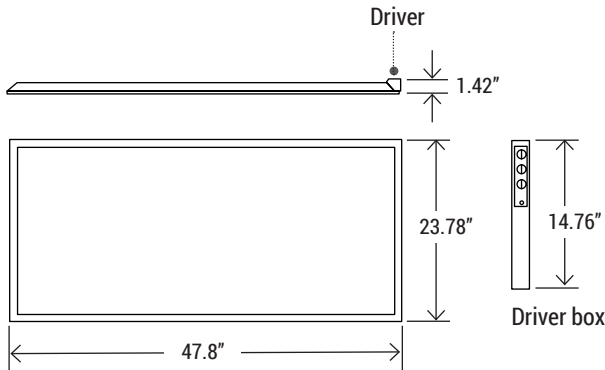


DRIVER

Driver is fixed on the back of the panel or side to prevent mis-handling during shipment.

Maintenance-free optical module sealed for life; no internal cleaning required.

DIMENSION



OPTION



EMERGENCY BATTERY BACK-UP
(Consult factory for more info)

PHOTOMETRY

