

Project Name:	Notes:	Date:	Type:
---------------	--------	-------	-------

**DESCRIPTION**

Say goodbye to your previous notions about back-lit panels! Portor's LED back-lit flat panel is a commercial grade luminaire utilizing a LED optical system to achieve superior performance and provides high uniformity, excellent efficiency and reduced glare in T-grid ceiling applications.

Ideal use for offices, conference rooms, school/campuses, retail stores and the health care industry.

**CONSTRUCTION**

Unlike previous back-lit panels, ours achieves the same, or lower depth as standard edge-lit panel. The frame is made of high-grade aluminum, and the back cover of the housing is zinc-coated iron. The LED driver is mounted in direct contact with the casting to promote low operating temperature and long life. Super lightweight, saving money on shipping costs.

**ELECTRICAL**

Luminaire is built with the highest quality 100-277VAC drivers.

**DRIVER**

Driver is fixed on the back of the panel or side to prevent mis-handling during shipment.

**OPTICAL SYSTEM**

Robust PMMA lens designed to reduce glare and improved light distribution through precision formed lens optics. Provides more lumen output than traditional edge-lit panels.

**DIMMING**

0-10V dimmable standard

**CERTIFICATION**

ETL Listed, FCC, RoHS

**TECHNICAL SPECIFICATION**

WATTAGE	40W
LUMENS	5,469 lumens
EFFICACY	140 lm/W
VOLTAGE	AC100-277V
POWER FREQUENCY	50/60 Hz
CCT	5000K
CRI	Ra>80
BEAM ANGLE	120°
WORKING TEMP.	50°F - 104°F
IP RATING	IP20 Suitable for damp locations
DIMMABLE	0-10V dimming
POWER FACTOR	>0.9
THD	≤15%
WARRANTY	5 year limited
PORTOR CAT#	<b>PT-BLP-24/40W-5K</b>



**MODEL NUMBER(S)**

MODEL#	WATTS	LUMENS	LM/WATT	CCT	CRI	VOLTAGE
<b>BLIT-2X4-40DR-P1-40</b>	40W	5,305	137	4000K	>80	AC 100/277V
<b>BLIT-2X4-40DR-P1-50</b>	40W	5,469	140	5000K	>80	AC 100/277V

Project Name:	Notes:	Date:	Type:
---------------	--------	-------	-------



Front



Back

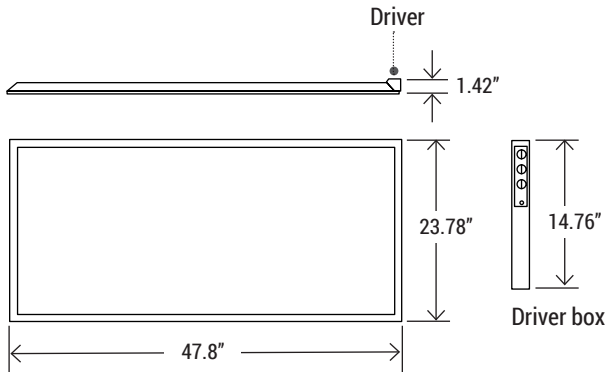


**DRIVER**

Driver is fixed on the back of the panel or side to prevent mis-handling during shipment.

Maintenance-free optical module sealed for life; no internal cleaning required.

**DIMENSION**



**OPTION**



**EMERGENCY BATTERY BACK-UP**  
(Consult factory for more info)

**PHOTOMETRY**

