

Project Name:	Notes:	Date:	Type:
---------------	--------	-------	-------

**DESCRIPTION**

Tired of the standard-looking flood light? The small but nimble FLM1 flood light series is for you! Available with knuckle mount or a yoke mount.

Ideal use for facades, outdoor signage, buildings, shopping centers, industrial areas and other outdoor places where spot lighting is needed.



Knuckle Mount

Yoke Mount

**CONSTRUCTION**

Die-cast aluminum housing. Sealed by a silicone ring that makes the fixture waterproof.

**ELECTRICAL**

Luminaire is built with the highest quality 120-277VAC universal drivers.

**OPTICAL SYSTEM**

Robust glass lens designed to reduce glare and improve light distribution through precision formed lens optics.

**CERTIFICATION**

UL Listed for Wet Location, FCC, RoHS, IP65 Rated

**TECHNICAL SPECIFICATION**

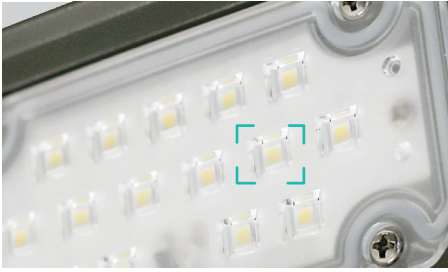
WATTAGE	30W
LUMENS	3,770 / 3,600 lumens
EFFICACY	120 lm/W
VOLTAGE	AC120-277V
POWER FREQUENCY	50/60 Hz
DISTRIBUTION ANGLE	80°x110°
CCT	3000K, 5000K
CRI	70
WORKING TEMP.	-40°F - +113°F
STORAGE TEMP.	-40°F - +158°F
IP RATING	IP65 Wet Location
DIMMABLE	Non-dimming
POWER FACTOR	>0.9
WARRANTY	5 year limited



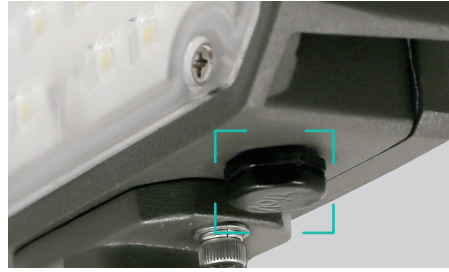
MODEL NUMBER							
MODEL#	WATTS	LUMENS	LM/WATT	MOUNTING	CCT	CRI	VOLTAGE
PT-FLM1-30W	30W	3,770	120	K (Knuckle) Y (Yoke)	3000K	70	AC 120/277V
		3,600	120		5000K		

Project Name:	Notes:	Date:	Type:
---------------	--------	-------	-------

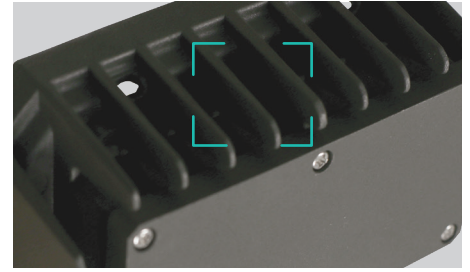
**FEATURES**



**DISTRIBUTION LENS**  
1:1 lens to LED diode ratio, maximizing light distribution

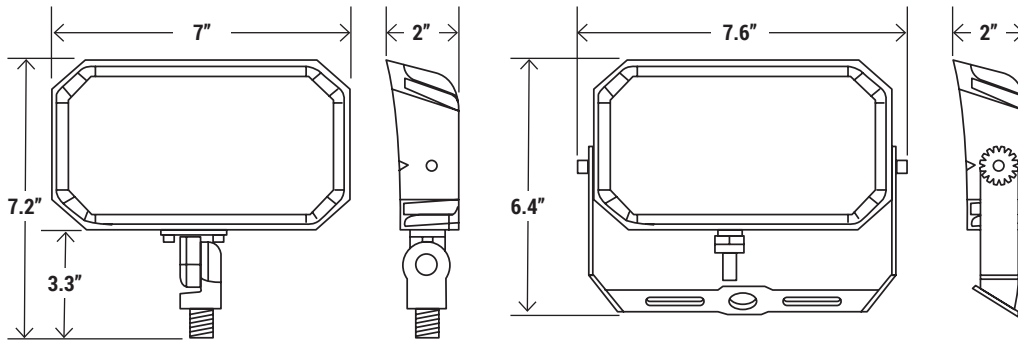


**CONDENSATION VALVE**  
The FLM1 uses a state-of-the-art condensation valve, preventing water from collecting behind the lens.

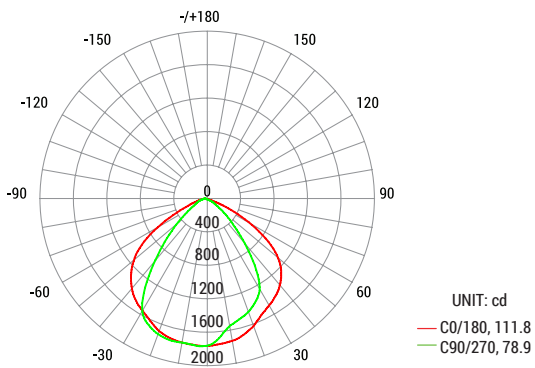


**ADVANCED HEATSINK**  
Advanced heatsink allows for maximum cooling, prolonging life of the fixture.

**DIMENSION**



**PHOTOMETRY**



Average Beam Angle (50%) : 95.4 degree