

Project Name:	Notes:	Date:	Type:
---------------	--------	-------	-------

DESCRIPTION

Tired of the standard-looking flood light? The small but nimble FLM1 flood light series is for you! Available with knuckle mount or a yoke mount.

Ideal use for facades, outdoor signage, buildings, shopping centers, industrial areas and other outdoor places where spot lighting is needed.



Knuckle Mount

Yoke Mount

CONSTRUCTION

Die-cast aluminum housing. Sealed by a silicone ring that makes the fixture waterproof.

ELECTRICAL

Luminaire is built with the highest quality 120-277VAC universal drivers.

OPTICAL SYSTEM

Robust glass lens designed to reduce glare and improve light distribution through precision formed lens optics.

CERTIFICATION

UL Listed for Wet Location, FCC, RoHS, IP65 Rated

TECHNICAL SPECIFICATION

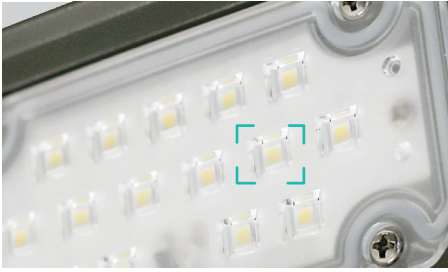
WATTAGE	50W
LUMENS	6,000 lumens
EFFICACY	120 lm/W
VOLTAGE	AC120-277V
POWER FREQUENCY	50/60 Hz
DISTRIBUTION ANGLE	80°x110°
CCT	3000K, 5000K
CRI	70
WORKING TEMP.	-40°F - +113°F
STORAGE TEMP.	-40°F - +158°F
IP RATING	IP65 Wet Location
DIMMABLE	Non-dimming
POWER FACTOR	>0.9
WARRANTY	5 year limited



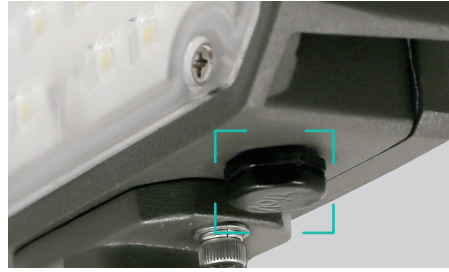
MODEL NUMBER							
MODEL#	WATTS	LUMENS	LM/WATT	MOUNTING	CCT	CRI	VOLTAGE
PT-FLM1-50W	50W	6,000	120	K (Knuckle) Y (Yoke)	3000K	70	AC 120/277V
					5000K		

Project Name:	Notes:	Date:	Type:
---------------	--------	-------	-------

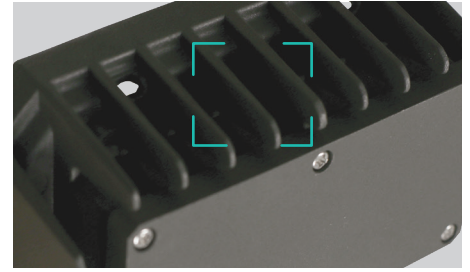
FEATURES



DISTRIBUTION LENS
1:1 lens to LED diode ratio, maximizing light distribution

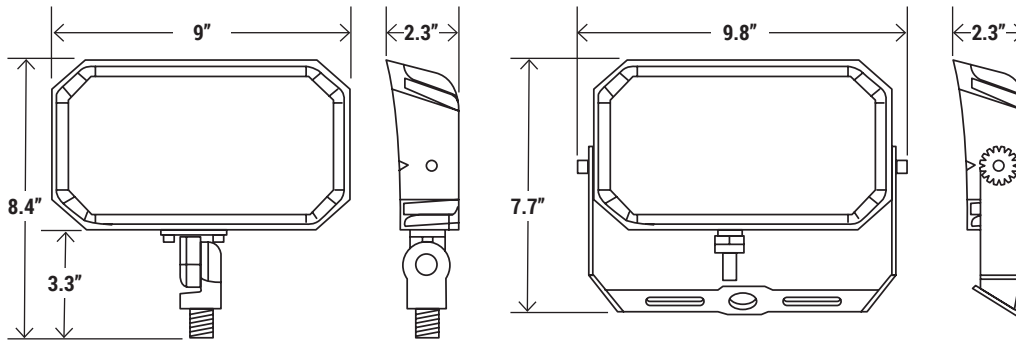


CONDENSATION VALVE
The FLM1 uses a state-of-the-art condensation valve, preventing water from collecting behind the lens.

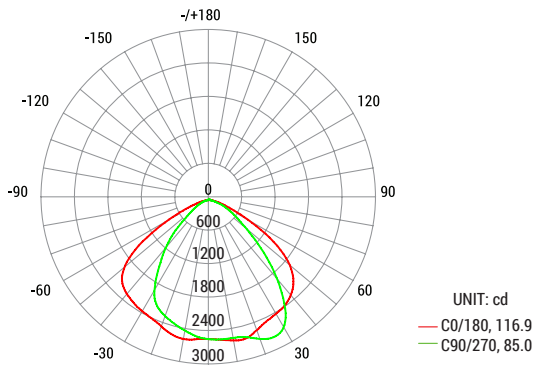


ADVANCED HEATSINK
Advanced heatsink allows for maximum cooling, prolonging life of the fixture.

DIMENSION



PHOTOMETRY



Average Beam Angle (50%) : 101.0 degree