

Project Name:	Notes:	Date:	Type:
---------------	--------	-------	-------

**DESCRIPTION**

Tired of the standard-looking flood light? The small but nimble FLM1 flood light series is for you! Available with knuckle mount or a yoke mount.

Ideal use for facades, outdoor signage, buildings, shopping centers, industrial areas and other outdoor places where spot lighting is needed.



**CONSTRUCTION**

Die-cast aluminum housing. Sealed by a silicone ring that makes the fixture waterproof.

**ELECTRICAL**

Luminaire is built with the highest quality 120-277VAC universal drivers.

**OPTICAL SYSTEM**

Robust glass lens designed to reduce glare and improve light distribution through precision formed lens optics.

**LISTING**

UL Listed for Wet Location, FCC, RoHS, IP65 Rated  
DLC Listed

**TECHNICAL SPECIFICATION**

WATTAGE	50W
LUMENS	6,567 lumens (@ 3000K) 6,000 lumens (@ 5000K)
EFFICACY	130 lm/W (@ 3000K) 120 lm/W (@ 5000K)
VOLTAGE	AC120-277V
POWER FREQUENCY	50/60 Hz
CCT	3000K, 5000K
CRI	70
DISTRIBUTION ANGLE	80°x110°
WORKING TEMP.	-40°F - +113°F
STORAGE TEMP.	-40°F - +158°F
IP RATING	IP65 Wet Location
DIMMABLE	Non-dimming
POWER FACTOR	>0.9
LIFE SPAN	50,000 hrs
WARRANTY	5 year limited

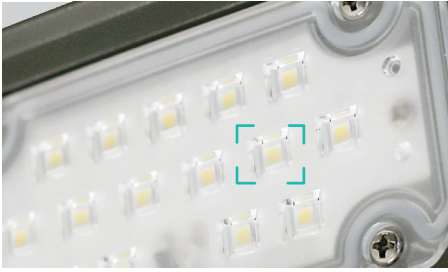


**ORDERING SAMPLE: PT-FLM1-50W - 80X110 - K - 50K - PT-FLM1-A-JB**

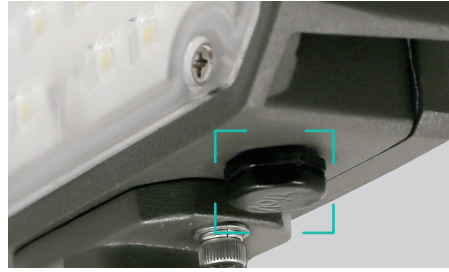
Series	Distribution	Mounting	CCT	Options
<b>PT-FLM1-50W</b> 50W LED Mini Flood Series	80X110 (80° x 110°)	<input type="checkbox"/> K (Knuckle) <input type="checkbox"/> Y (Yoke)	<input type="checkbox"/> 30K (3000K) <input type="checkbox"/> 50K (5000K)	<input type="checkbox"/> PT-FLM1-A-JB

Project Name:	Notes:	Date:	Type:
---------------	--------	-------	-------

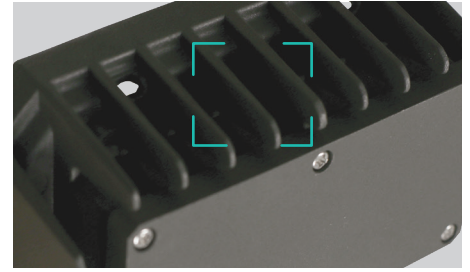
**FEATURES**



**DISTRIBUTION LENS**  
1:1 lens to LED diode ratio, maximizing light distribution

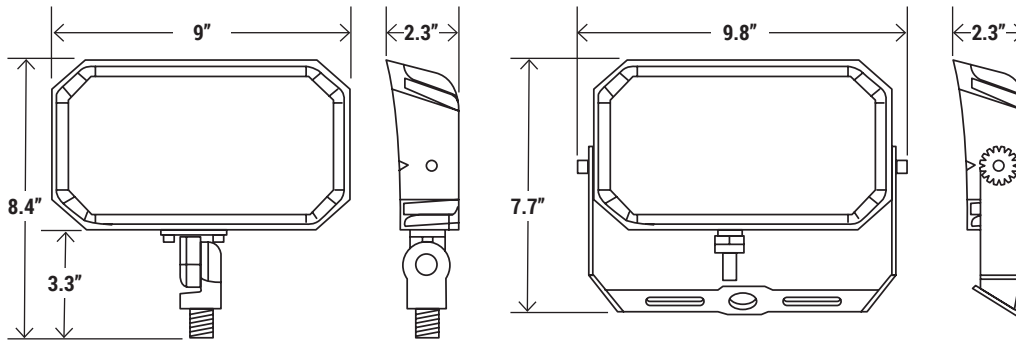


**CONDENSATION VALVE**  
The FLM1 uses a state-of-the-art condensation valve, preventing water from collecting behind the lens.

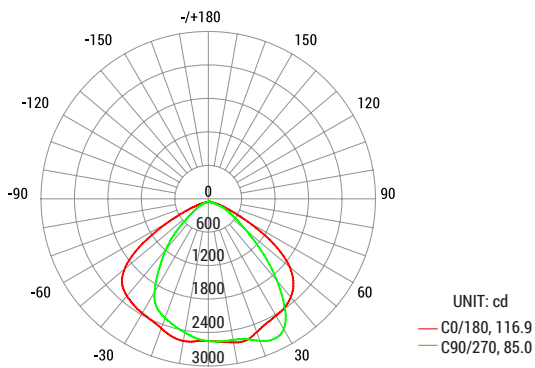


**ADVANCED HEATSINK**  
Advanced heatsink allows for maximum cooling, prolonging life of the fixture.

**DIMENSION**



**PHOTOMETRY**



Average Beam Angle (50%) : 101.0 degree

**OPTION**



**PT-FLM1-A-JB**  
Mini Floodlight Junction Box for Knuckle Mounting Option

*\*Actual fixture not included*