

Project Name:	Notes:	Date:	Type:
---------------	--------	-------	-------

**DESCRIPTION**

Portor's LED slim flat panel commercial-grade luminaire utilizes a light guide LED optical system to achieve superior performance, providing clear uniformity, high-energy efficiency and reduced glare in T-grid ceiling applications.

Ideal use for offices, conference rooms, schools/campuses, retail stores and the health care industry.

**CONSTRUCTION**

PMMA grade acrylic multi-layered lens, light guide LED technology and powder-coat paint extruded aluminum frame.

**ELECTRICAL**

Luminaire is built with the highest quality 100-277VAC drivers.

**DRIVER**

Easy access driver is fixed on the back of the panel.

**OPTICAL SYSTEM**

Robust PMMA lens designed to reduce glare and improve light distribution through precision formed lens optics.

**DIMMING**

0-10V dimmable standard

**CERTIFICATION**

ETL Listed, FCC, RoHS

**TECHNICAL SPECIFICATION**

WATTAGE	50W
LUMENS	6,475 lumens
EFFICACY	130 lm/W
VOLTAGE	AC100-277V
POWER FREQUENCY	50/60 Hz
CCT	5000K
CRI	Ra>80
BEAM ANGLE	120°
WORKING TEMP.	-4°F - +113°F
IP RATING	IP44 Suitable for damp locations
DIMMABLE	0-10V dimming
POWER FACTOR	>0.9
THD	≤15%
WARRANTY	5 year limited
PORTOR CAT#	<b>PT-FPA-24/50W-5K-P</b>

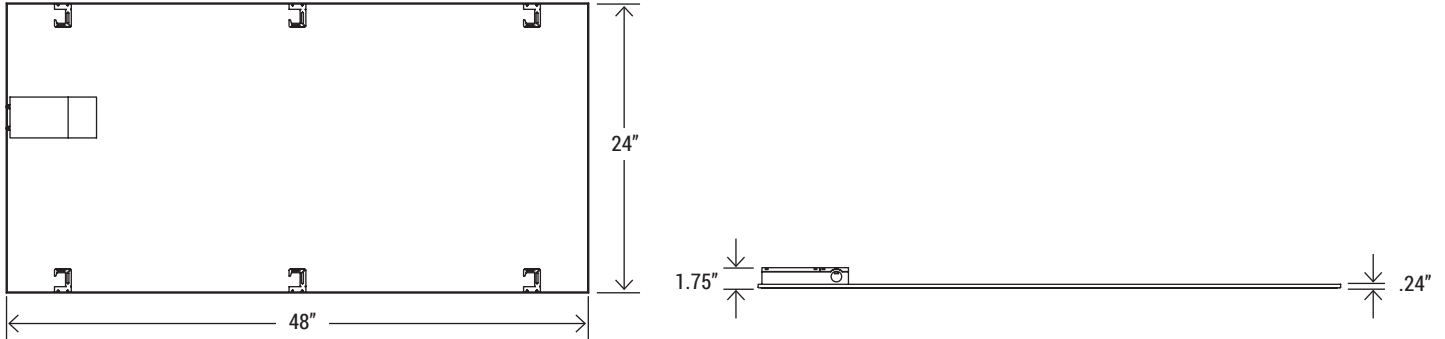


**MODEL NUMBER(S)**

MODEL#	WATTS	LUMENS	LM/WATT	CCT	CRI	VOLTAGE
<b>24AP5040A</b>	50W	6,450	129	4000K	>80	AC 100/277V
<b>24AP5050A</b>	50W	6,475	130	5000K	>80	AC 100/277V

Project Name:	Notes:	Date:	Type:
---------------	--------	-------	-------

**DIMENSION**



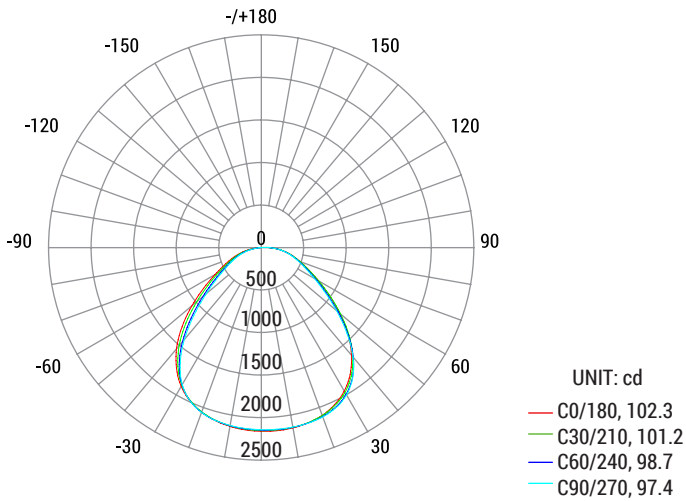
Maintenance-free optical module sealed for life; no internal cleaning required.

**OPTION**



**EMERGENCY BATTERY BACK-UP**  
(Consult factory for more info)

**PHOTOMETRY**



Average Beam Angle (50%) : 99.9 degree