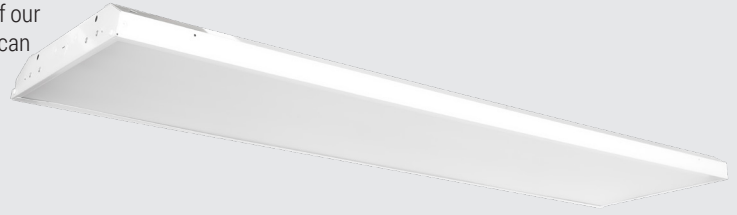


Project Name:	Notes:	Date:	Type:
---------------	--------	-------	-------

DESCRIPTION

Portor's traditional linear high bay is our workhorse fixture and is consistently one of our best-selling products. Need a motion sensor or emergency battery back-up? Portor can do the installation for you, saving cost and headaches!

Ideal use for large indoor areas, warehouses, parking garages, walkways, school/campuses, shopping centers and commercial areas.



CONSTRUCTION

Traditional design using high standard aluminum alloy body with a white finish.

ELECTRICAL

Luminaire is built with the highest quality 100-277VAC drivers (custom order available for 347-480VAC driver).

OPTICAL SYSTEM

Designed to reduce glare and improved light distribution through precision formed lens optics.

ENERGY SAVINGS

50% more energy savings than fluorescent fixtures. Low heat production requires less air-conditioning requirements.

DIMMING

1-10V dimmable standard

LISTING

UL Listed, FCC, RoHS, CE, DLC Premium Listed, With LM79 & LM80

TECHNICAL SPECIFICATION

WATTAGE	225W
LUMENS	32,042 lumens
EFFICACY	150 lm/W
VOLTAGE	AC100-277V (347-480V custom order)
POWER FREQUENCY	50/60 Hz
CCT	5000K
CRI	Ra>80
BEAM ANGLE	120°
WORKING TEMP.	-4°F - +104°C
STORAGE TEMP.	-22°F - +140°C
IP RATING	IP40, Suitable for damp locations
DIMMABLE	1-10V dimming
POWER FACTOR	>0.9
THD	≤15%
WARRANTY	5 year limited

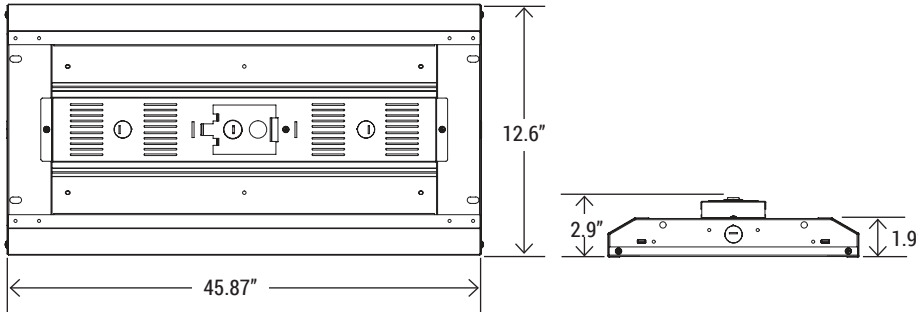


MODEL NUMBER(S)

MODEL#	WATTS	LUMENS	LM/WATT	CCT	CRI	VOLTAGE
PT-HBL3-110W-5K	110W	16,073	155	5000K	>80	AC 100/277V
PT-HBL3-165W-5K	165W	20,845	130	5000K	>80	AC 100/277V
PT-HBL3-225W-5K	225W	32,042	150	5000K	>80	AC 100/277V
PT-HBL3-320W-5K	320W	48,185	150	5000K	>80	AC 100/277V

Project Name:	Notes:	Date:	Type:
---------------	--------	-------	-------

DIMENSION



AVAILABLE OPTIONS



PT-A-MSH-00-D
On/Off Motion Sensor



PT-A-MSH-D
Fully Dimmable, Daylight
Harvesting Motion Sensor

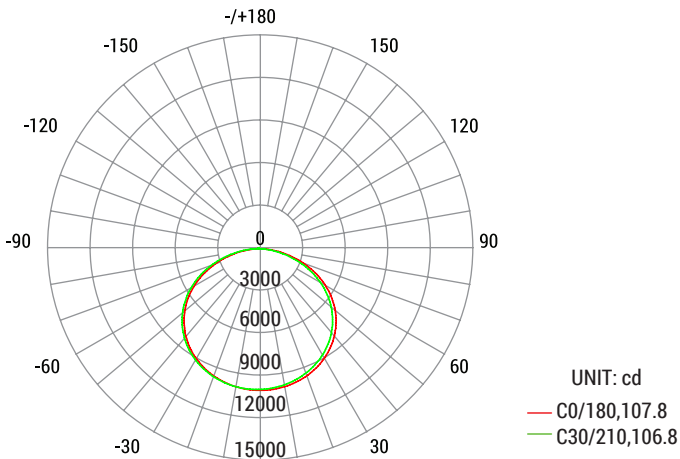


PT-A-MSH-RC
Motion Sensor Remote
Control *(Needed to program
the motion sensor)*



EMERGENCY BATTERY BACK-UP
(Please inquire for more info)

PHOTOMETRY



Average Beam Angle (50%) : 107.3 degree