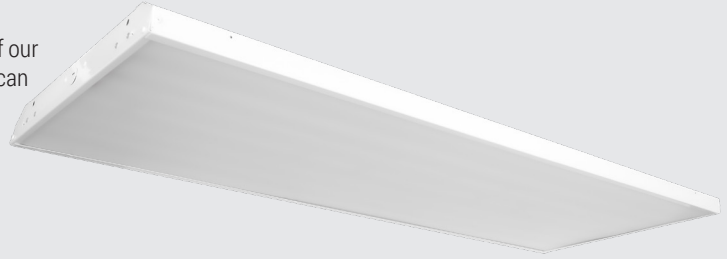


Project Name:	Notes:	Date:	Type:
---------------	--------	-------	-------

**DESCRIPTION**

Portor's traditional linear high bay is our workhorse fixture and is consistently one of our best-selling products. Need a motion sensor or emergency battery back-up? Portor can do the installation for you, saving cost and headaches!

Ideal use for large indoor areas, warehouses, parking garages, walkways, school/campuses, shopping centers and commercial areas.



**CONSTRUCTION**

Traditional design using high standard aluminum alloy body with a white finish.

**ELECTRICAL**

Luminaire is built with the highest quality 100-277VAC drivers (custom order available for 347-480VAC driver).

**OPTICAL SYSTEM**

Designed to reduce glare and improved light distribution through precision formed lens optics.

**ENERGY SAVINGS**

50% more energy savings than fluorescent fixtures. Low heat production requires less air-conditioning requirements.

**DIMMING**

1-10V dimmable standard

**LISTING**

UL Listed, FCC, RoHS, CE, DLC Premium Listed, With LM79 & LM80

**TECHNICAL SPECIFICATION**

WATTAGE	320W
LUMENS	48,185 lumens
EFFICACY	150 lm/W
VOLTAGE	AC100-277V (347-480V custom order)
POWER FREQUENCY	50/60 Hz
CCT	5000K
CRI	Ra>80
BEAM ANGLE	120°
WORKING TEMP.	-4°F - +104°C
STORAGE TEMP.	-22°F - +140°C
IP RATING	IP40, Suitable for damp locations
DIMMABLE	1-10V dimming
POWER FACTOR	>0.9
THD	≤15%
WARRANTY	5 year limited

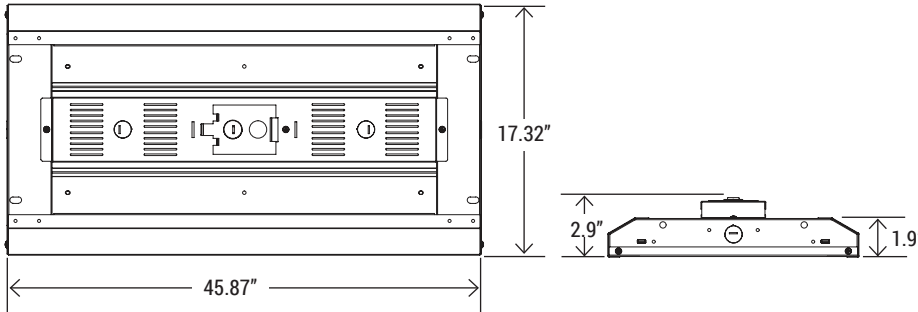


**MODEL NUMBER(S)**

MODEL#	WATTS	LUMENS	LM/WATT	CCT	CRI	VOLTAGE
PT-HBL3-110W-5K	110W	16,073	155	5000K	>80	AC 100/277V
PT-HBL3-165W-5K	165W	20,845	130	5000K	>80	AC 100/277V
PT-HBL3-225W-5K	225W	32,042	150	5000K	>80	AC 100/277V
PT-HBL3-320W-5K	320W	48,185	150	5000K	>80	AC 100/277V

Project Name:	Notes:	Date:	Type:
---------------	--------	-------	-------

**DIMENSION**



**AVAILABLE OPTIONS**



**PT-A-MSH-00-D**  
On/Off Motion Sensor



**PT-A-MSH-D**  
Fully Dimmable, Daylight  
Harvesting Motion Sensor

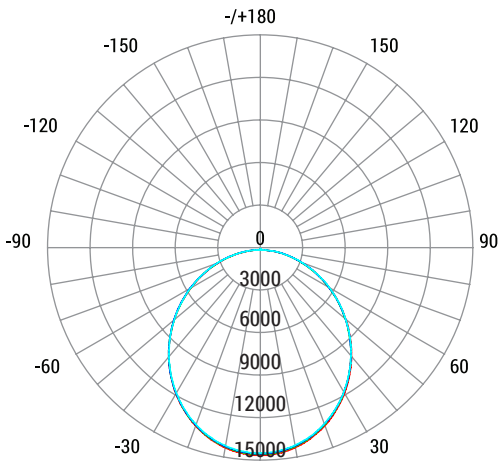


**PT-A-MSH-RC**  
Motion Sensor Remote  
Control *(Needed to program  
the motion sensor)*



**EMERGENCY BATTERY BACK-UP**  
*(Please inquire for more info)*

**PHOTOMETRY**



- UNIT: cd
- C0/180,108.9
  - C30/210,109.1
  - C60/240,109.6
  - C90/270,109.8

Average Beam Angle (50%) : 109.3 degree