

Project Name:	Notes:	Date:	Type:
---------------	--------	-------	-------

**DESCRIPTION**

The HBU1 High bay fixture is efficient, durable, and designed to withstand harsh conditions with its remarkable heat dissipation, dust-tight body, and resistance to water.

Ideal for indoor and outdoor areas, including gymnasiums, warehouses, retail spaces, and convention centers.



**CONSTRUCTION**

Advanced die-cast aluminum heat sink which provides excellent thermal transfer to extend component life. Built rugged for indoor and waterproof. Fixture comes standard with ring for suspended mounting.

**ELECTRICAL**

Luminaire is built with the highest quality universal 100-277VAC drivers.

**OPTICAL SYSTEM**

Honey comb diode design to reduces glare and improve light distribution.

**LENS**

With tempered clear glass lens.

**SENSOR READY**

On/Off Motion sensor.

**CERTIFICATION**

FCC, RoHS, CE, IP65 Rated for Wet Location

**TECHNICAL SPECIFICATION**

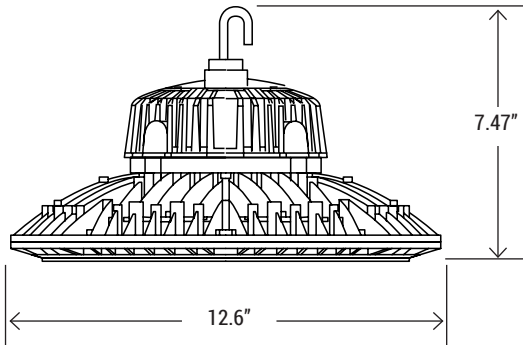
WATTAGE	200W
LUMENS	27,000 lumens
EFFICACY	130 lm/W
VOLTAGE	AC100-277V
POWER FREQUENCY	50/60 Hz
CCT	5000K (other CCT custom order)
CRI	Ra>70
BEAM ANGLE	120°
WORKING TEMP.	-40°F - +122°F
STORAGE TEMP.	-40°F - +158°F
IP RATING	IP65 Wet Location
DIMMABLE	0-10V dimming
POWER FACTOR	>0.95
THD	≤10%
WARRANTY	5 year limited



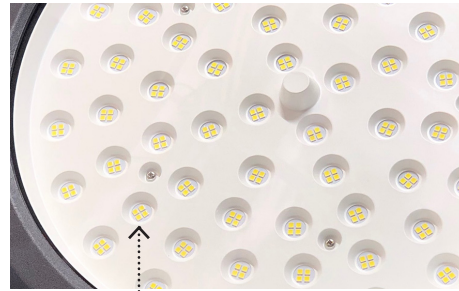
MODEL NUMBER(S)						
MODEL#	WATTS	LUMENS	LM/WATT	CCT	CRI	VOLTAGE
PT-HBU1-100W-5K	100W	13,500	130	5000K	>70	AC 100/277V
PT-HBU1-150W-5K	150W	20,250	130	5000K	>70	AC 100/277V
PT-HBU1-200W-5K	200W	27,000	130	5000K	>70	AC 100/277V
PT-HBU1-240W-5K	240W	36,445	130	5000K	>70	AC 100/277V
PT-HBU1-300W-5K	300W	40,500	130	5000K	>70	AC 100/277V

Project Name:	Notes:	Date:	Type:
---------------	--------	-------	-------

**DIMENSION**



**HONEY COMB DIODE TECHNOLOGY**



Honey comb reflector technology design increases light output up to 15%

**AVAILABLE OPTIONS**



**PT-A-EMU-25W**  
Emergency LED Driver For Round High Bay

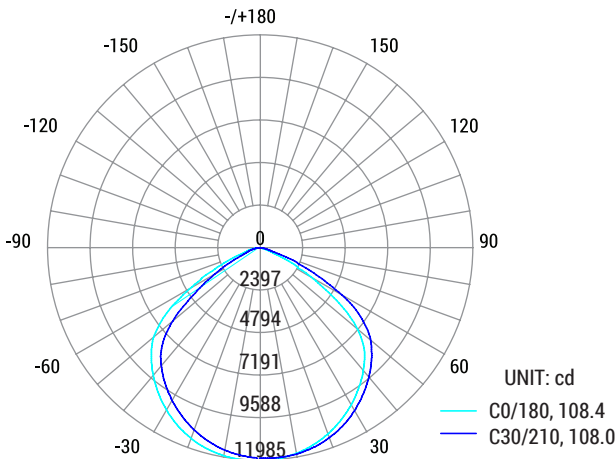


**PT-A-MSH-00-C**  
ON / OFF Microwave Motion Sensor



**PT-HBU1-A-UB**  
U-Bracket Mounting

**PHOTOMETRY**



Average Beam Angle (50%) : 110.0 degree