

Project Name:	Notes:	Date:	Type:
---------------	--------	-------	-------

**DESCRIPTION**

Portor's TC2 is color tunable, and can be programmed with a CCT of 3500K, 4000K, or 5000K, eliminating the need to stock multiple color temperatures.

Ideal use for office spaces, walkways, school/campuses, shopping centers, hospitality and health care industry.



**CONSTRUCTION**

Constructed of one-piece ribbed unitized housing and corners that interlock, preventing damage to luminaire. All sides and corners are turned in and hemmed, removing sharp edges for safe handling and installation.

**ELECTRICAL**

Luminaire is built with the highest quality 100-277VAC drivers.

**OPTICAL SYSTEM**

Designed to reduce glare and improved light distribution through precision formed lens optics.

**DIMMING**

1-10V dimmable standard

**CERTIFICATION**

UL Listed, FCC, RoHS, CE, IP44 Rated

**TECHNICAL SPECIFICATION**

WATTAGE	25W
LUMENS	3,100 lumens
EFFICACY	124 lm/W
VOLTAGE	AC100-277V
POWER FREQUENCY	50/60 Hz
CCT	3500K/4000K/5000K
CRI	Ra>80
BEAM ANGLE	120°
WORKING TEMP.	-40°F - +122°F
STORAGE TEMP.	-40°F - +158°F
IP RATING	IP44 Suitable for damp locations
DIMMABLE	1-10V dimming
POWER FACTOR	>0.9
THD	≤20%
WARRANTY	5 year limited
PORTOR CAT#	PT-TC2-22/25W

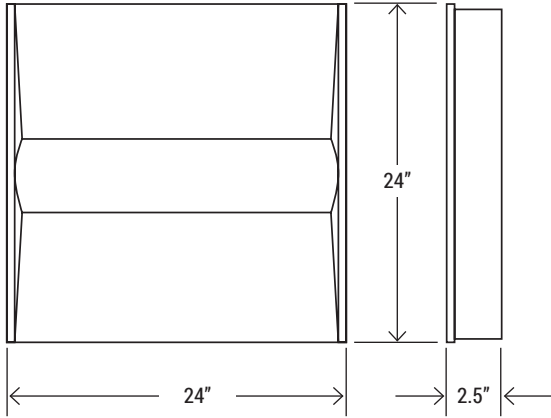


**MODEL NUMBER(S)**

MODEL#	WATTS	LUMENS	LM/WATT	CCT	CRI	VOLTAGE
CBLED22-25D-5KMV	25W	3,100 (3,100 lm at 5000K)	124	3500K/4000K/5000K	>80	AC 100/277V

Project Name:	Notes:	Date:	Type:
---------------	--------	-------	-------

**DIMENSION**



**OPTIONS**



**EMERGENCY BATTERY BACK-UP**  
(Inquire factory for more info)

**PHOTOMETRY**

