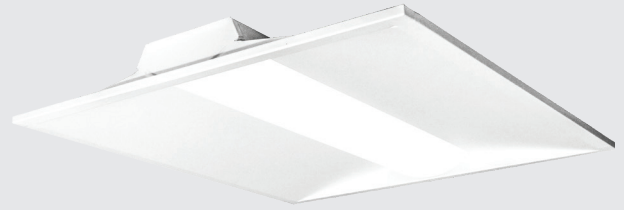


Project Name:	Notes:	Date:	Type:
---------------	--------	-------	-------

**DESCRIPTION**

Portor's TC3 is wattage and color tunable, and can be programmed with a CCT of 3500K, 4000K, or 5000K, eliminating the need to stock multiple color temperatures.

Ideal use for office spaces, walkways, school/campuses, shopping centers, hospitality and health care industry.



**CONSTRUCTION**

Constructed of one-piece ribbed unitized housing and corners that interlock, preventing damage to luminaire. All sides and corners are turned in and hemmed, removing sharp edges for safe handling and installation.

**ELECTRICAL**

Luminaire is built with the highest quality 100-277VAC drivers.

**OPTICAL SYSTEM**

Designed to reduce glare and improved light distribution through precision formed lens optics.

**DIMMING**

1-10V dimmable standard

**CERTIFICATION**

UL Listed, FCC, RoHS, IP44 Rated



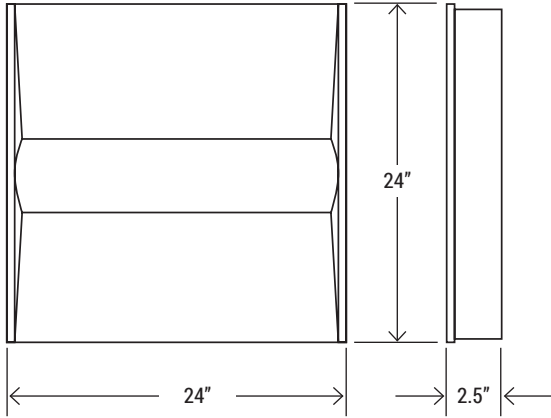
**TECHNICAL SPECIFICATION**

WATTAGE	30W/35W/40W
LUMENS	up to 5,000 lumens
EFFICACY	125 lm/W
CURRENT	0.367A
VOLTAGE	AC100-277V
POWER FREQUENCY	50/60 Hz
CCT	3500K/4000K/5000K
CRI	Ra>80
BEAM ANGLE	120°
WORKING TEMP.	-40°F - +122°F
STORAGE TEMP.	-40°F - +158°F
IP RATING	IP44 Suitable for damp locations
DIMMABLE	0-10V dimming
POWER FACTOR	>0.9
THD	≤20%
WARRANTY	5 year limited

MODEL NUMBER(S)						
MODEL#	WATTS	LUMENS	LM/WATT	CCT	CRI	VOLTAGE
PT-TC3-22-3CP	30W/35W/40W	up to 5,000	125	3500K/4000K/5000K	>80	AC 100/277V

Project Name:	Notes:	Date:	Type:
---------------	--------	-------	-------

**DIMENSION**

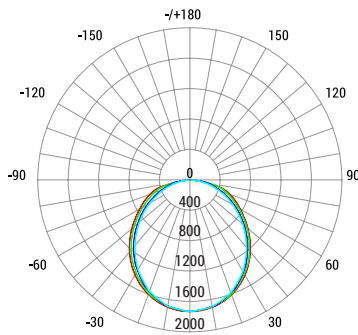


**OPTIONS**



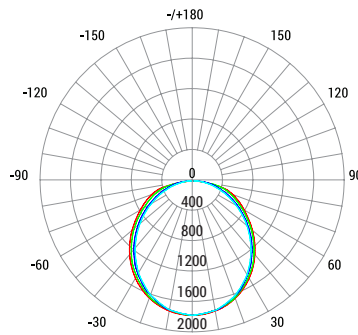
**EMERGENCY BATTERY BACK-UP**  
(Inquire factory for more info)

**PHOTOMETRY**



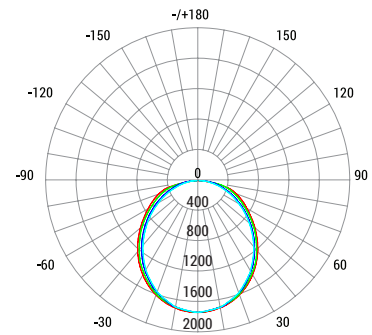
Average Beam Angle (50%) : 106.6 degree  
**(40W @ 3500K)**

- UNIT: cd
- C0/180, 111.2
  - C30/210, 108.7
  - C60/240, 104.3
  - C90/270, 102.2



Average Beam Angle (50%) : 106.7 degree  
**(40W @ 4000K)**

- UNIT: cd
- C0/180, 111.3
  - C30/210, 108.8
  - C60/240, 104.4
  - C90/270, 102.2



Average Beam Angle (50%) : 106.9 degree  
**(40W @ 5000K)**

- UNIT: cd
- C0/180, 111.5
  - C30/210, 109.0
  - C60/240, 104.5
  - C90/270, 102.2