

Project Name:	Notes:	Date:	Type:
---------------	--------	-------	-------

**DESCRIPTION**

Excellent luminaire to secure your perimeter and areas, where you need lighting most. The LED driver is mounted in direct contact with the casting to promote low operating temperature and long life.

Ideal use for warehouses, walkways, building entry ways, parking lots, schools/ campuses, shopping centers and industrial areas.



**CONSTRUCTION**

Die-cast aluminum housing. Sealed by a silicone ring that makes the fixture waterproof, internal level ensures installation is horizontal.

**DUSK TO DAWN**

Internal photocell design which can automatically turn on at dusk and turn off at dawn for up to 70% of energy saving.

**ELECTRICAL**

Luminaire is built with the highest quality 100-277VAC universal drivers.

**OPTICAL SYSTEM**

Robust glass lens designed to reduce glare and improve light distribution through precision formed lens optics.

**CERTIFICATION**

UL Listed for Wet Location, FCC, RoHS, CE, IP65 Rated , DLC Premium Listed

**TECHNICAL SPECIFICATION**

WATTAGE	18W
LUMENS	2,812 lumens
EFFICACY	150 lm/W
CCT	5000K
CRI	80
DIMMABLE	Non dimmable
SENSOR	Photocell standard
VOLTAGE	AC100-277V
POWER FREQUENCY	50/60 Hz
POWER FACTOR	>0.92
THD	≤14%
WORKING TEMP.	-40°F ~ 113°F
TURN-ON LIGHT LEVEL	<30 Lux
TURN-OFF LIGHT LEVEL	>100 Lux
IP RATING	IP65 Wet Location
LIFE SPAN	50,000 hrs
WARRANTY	5 year limited

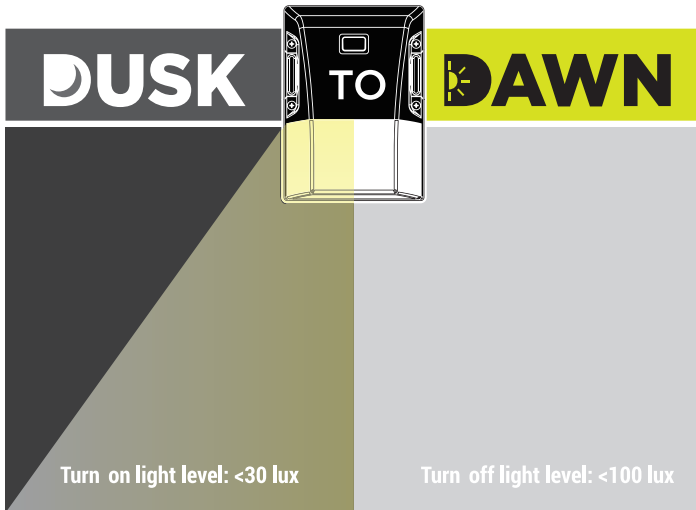
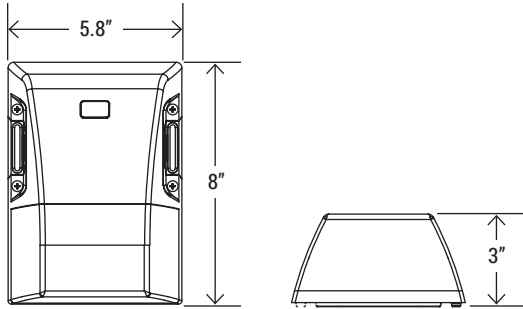


**ORDERING SAMPLE: PT-WPM1 - 18W - 50K**

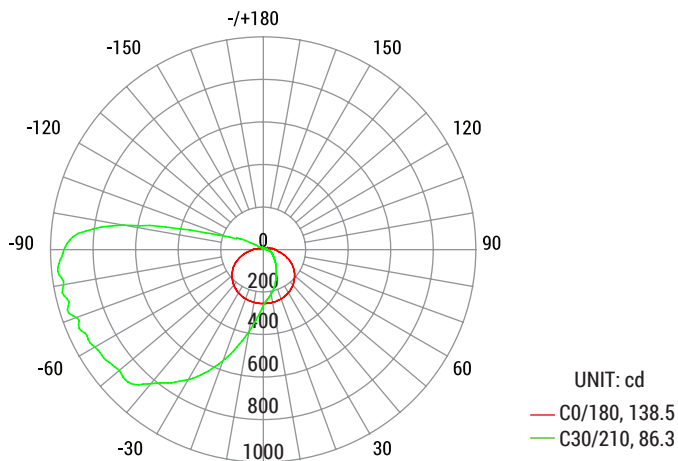
Series	Wattage	CCT
<b>PT-WPM1</b> LED Mini Wall Pack Series	<b>18W</b> (18 Watt)	<b>50K</b> (5000K)

Project Name:	Notes:	Date:	Type:
---------------	--------	-------	-------

**DIMENSION**



**PHOTOMETRY**



Average Beam Angle (50%) : 114.8 degree