

Catalog Number:	Project Name:	Note:	Date:	Type:
-----------------	---------------	-------	-------	-------

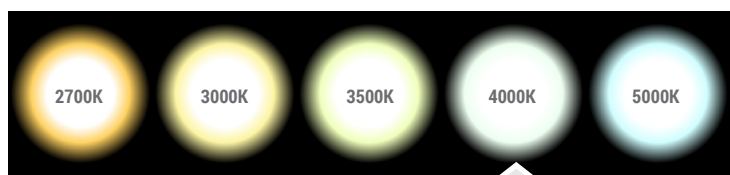
No can or housing needed! Install directly into ceilings with 2" clearance. Portor's slim baffle profile residential downlights are taking the market by storm! Available in 4" and featuring color tunable technology that lets the user choose between 2700K, 3000K, 3500K, 4000K, or 5000K.

Ideal for soffits, drop ceilings, closets, attics, hallways, bathrooms, kitchens, basements, entry ways, porches (covered ceiling only), garages, stairwells, corridors, nursing/retirement homes, condos, elevators, apartments, and any other small areas with limited space.



**Baffle**

**TUNABLE 5-1 CCT SELECTOR**



Easily flip the switch for desired CCT. It's that simple!

**FEATURES**

- Edge-lit technology, with no glare or dark spots
- Instant-on
- Ultra slim design, 1.25" thickness
- Integrated LED fixtures
- LED technology fits anywhere you need general light source
- IC rated for direct contact with insulation
- Perfect solution where joists or duct work would normally prevent recessed installation
- Damp location rated for soffit applications
- Install J-Box in ceiling beam, and insert light right into drywall opening

**DIMMING**

Triac dimmable down to 100%-10%.  
Compatible with most major brands of dimmers.

**LISTING**

ETL Listed, FCC, RoHS, CE & Energy Star Listed

**TECHNICAL SPECIFICATION**

WATTAGE	12W
LUMENS	812 lumens (@ 5000K)
EFFICACY	66 lm/W
VOLTAGE	120V
POWER FREQUENCY	50/60 Hz
CCT	27K/30K/35K/40K/50K
CRI	90
BEAM ANGLE	120°
RATING	Suitable for damp locations
DIMMABLE	Triac dimming
POWER FACTOR	>0.9
WARRANTY	5 year limited



MODEL NUMBER(S)						
MODEL#	WATTS	LUMENS	LM/WATT	CCT	CRI	VOLTAGE
PT-DLSB-R-4I-12W-5CCT	12W	812 (at 5000K)	66	2700K/3000K/3500K/ 4000K/5000K	90	120V

Catalog Number:	Project Name:	Note:	Date:	Type:
-----------------	---------------	-------	-------	-------



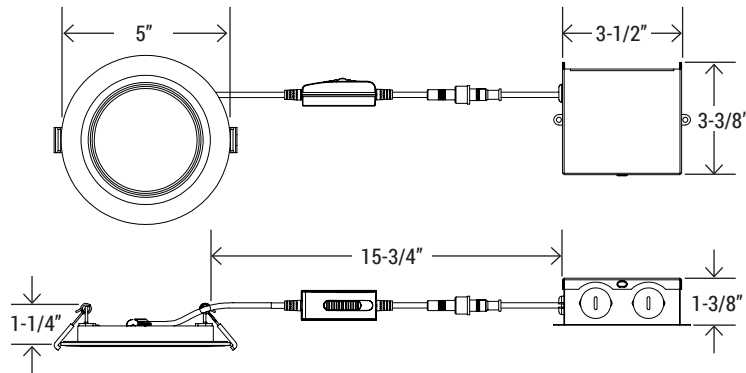
• Sealing gasket standard

**COMPATIBLE DIMMERS**

LUTRON*	LEVITON*
<ul style="list-style-type: none"> <li>• AYCL-153P</li> <li>• DV-600PR</li> <li>• DVCL-153P</li> <li>• MACL-153MH</li> <li>• MRF2-6CL</li> <li>• D-600P</li> <li>• NTELV-300P</li> <li>• S-600P</li> <li>• CT-600P</li> <li>• CTCL-153P</li> <li>• TG-600P</li> <li>• TCCL-153P</li> </ul>	<ul style="list-style-type: none"> <li>• 6633</li> <li>• 6602</li> <li>• 6674</li> <li>• IPL06</li> </ul>

\*For more details, please visit company's website

**DIMENSION**



(Cut-out: 4-1/4")

**MOUNTING OPTIONS**



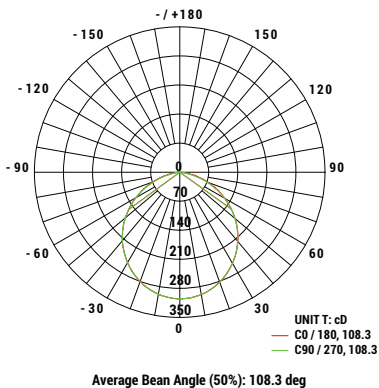
**UNI-DLS**  
4"/6" Universal Slim LED  
Housing for New Construction



**RP-DLS-4I**  
4" Slim LED Rough plate

**PHOTOMETRY** For complete IES files, please visit our website: [www.portorlighting.com](http://www.portorlighting.com)

**LUMINOUS INTENSITY DISTRIBUTION DIAGRAM**



12W @ 5000K

**CO PLANE ISOLUX DIAGRAM (UNIT:lx)**

