

Catalog Number:	Project Name:	Note:	Date:	Type:
-----------------	---------------	-------	-------	-------

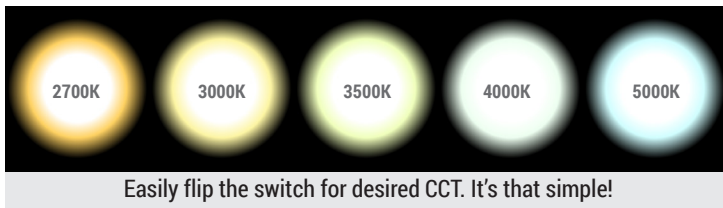
2nd Generation Disk Downlight

Portor's second generation disk downlight are an ideal solution when recessed fixtures are not an option. Available in multiple apertures, the DDL2 Series features color tunable technology that lets the user choose between 2700K, 3000K, 3500K, 4000K, or 5000K.

Ideal for drop ceilings, closets, attics, hallways, bathrooms, kitchens, basements, entry ways, porches (covered ceiling only), garages, stairwells, corridors, nursing/retirement homes, condos, elevators, apartments, and any other small areas with limited ceiling space.



TUNABLE 5-1 CCT SELECTOR



NOMINAL WATTAGE	DELIVERED LUMENS	EFFICACY
15W	923 LM @ 2700K	up to 75 lm/W
	970 LM @ 3000K	
	1098 LM @ 3500K	
	1126 LM @ 4000K	
	1023 LM @ 5000K	

Actual lumens may vary.

TECHNICAL SPECIFICATION

VOLTAGE	120V
POWER FREQUENCY	60 Hz
CRI	90
CCT	2700K 3000K 3500K 4000K 5000K
BEAM ANGLE	120°
IP RATING	Suitable for wet locations
DIMMABLE	Triac dimming
POWER FACTOR	>0.9
OPERATING TEMP.	14°F ~ 122°F (-10°C ~ 50°C)
LIFESPAN	50,000 hrs (Based on 3 hrs/day)
WARRANTY	5 year limited

CONSTRUCTION

High quality aluminum and PC housing material with architectural white finish. Standard gasket included to ensure proper seal. J-box installations only.

ELECTRICAL

Luminaire is built with the highest quality 120V drivers, ensuring energy efficiency.

ENERGY SAVINGS

80% more energy savings than halogen lamps. Low heat production requires less air-conditioning requirements, further increasing energy cost savings.

DIMMING

Triac dimmable down to 10%. Compatible with most major brands of dimmers.

LISTING

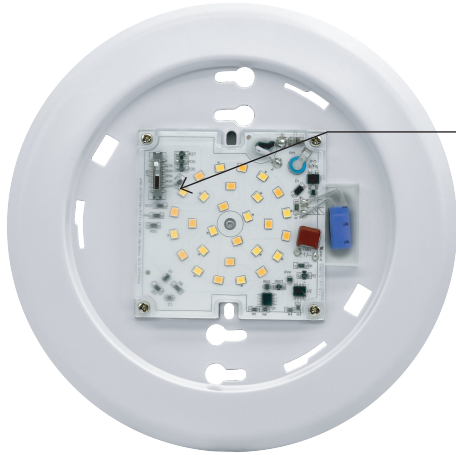
ETL Listed, FCC, RoHS, CE & Energy Star Listed



ORDERING SAMPLE: PT-DDL2-6I-15W-5CCT

Series	Watts	Lumens	Lms/Watt	CCT	CRI	Voltage
PT-DDL2-6I-15W-5CCT	15W	up to 1126	up to 75	2700K/3000K/3500K/4000K/5000K	90	120V

Catalog Number:	Project Name:	Note:	Date:	Type:
-----------------	---------------	-------	-------	-------



TUNABLE
5CCT
SELECTABLE
27K • 30K • 35K • 40K • 50K

Remove the lens and
Easily flip the switch
for desired CCT

- Fits most J-box
- Sealing gasket standard

QTY/CARTON

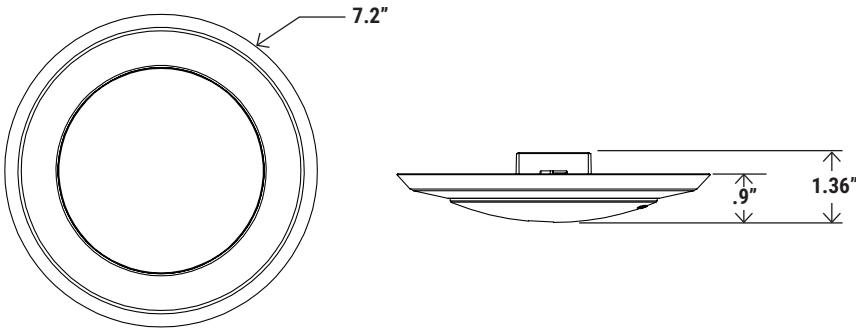
24

PIECES

**BULK24 OPTION
AVAILABLE**

Less Boxes Faster Installation

DIMENSION

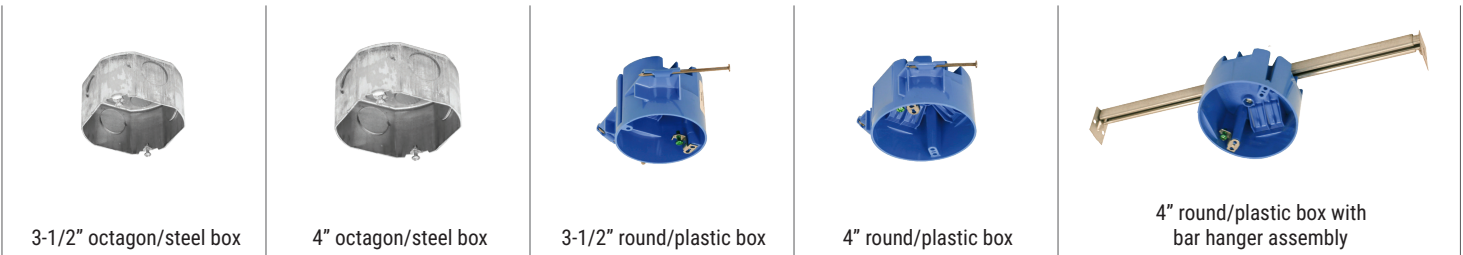


COMPATIBLE DIMMERS

LUTRON
• PD-6WCL
• DVCL-153P
• CTCL-153P
• MACL-153M
• TGCL-153P
LEVITON
• 6681
• 6672

MOUNTING OPTION

The junction boxes listed below are meant to be a reference list only. Junction box sizes may vary. It is the responsibility of the individual performing the installation to confirm that the fixture can properly and safely work with any junction box.



(For through circuit wiring applications, recommended j-box size is 2-1/8" deep)