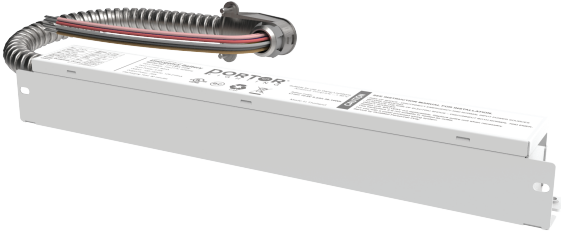


Project Name:	Notes:	Date:	Type:
---------------	--------	-------	-------



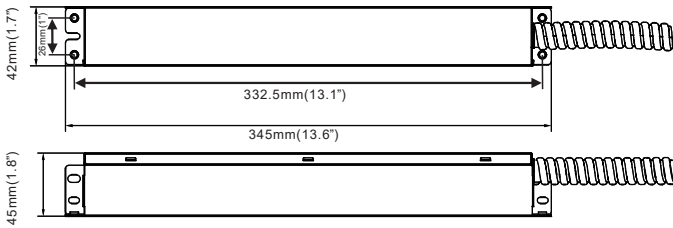
**FEATURES**

- Damp Location Rated
- Low energy consumption
- Constant output power
- 90 Minute Emergency Time

**LISTING**

- UL Listed

**DIMMENSIONS 32W**



**TECHNICAL SPECIFICATION**

EMERGENCY POWER	32W
INPUT VOLTAGE	100-277 VAC
POWER FREQUENCY	50/60 Hz
INPUT CURRENT	80mA max
INPUT POWER	5W
RECHARGE TIME	36 hrs
OUTPUT VOLTAGE	120-190 VDC
EMERGENCY OPERATION	90 mins
BATTERY TYPE	Li-ion
AMBIENT TEMP.	32°F - 122°F
WARRANTY	5 year limited

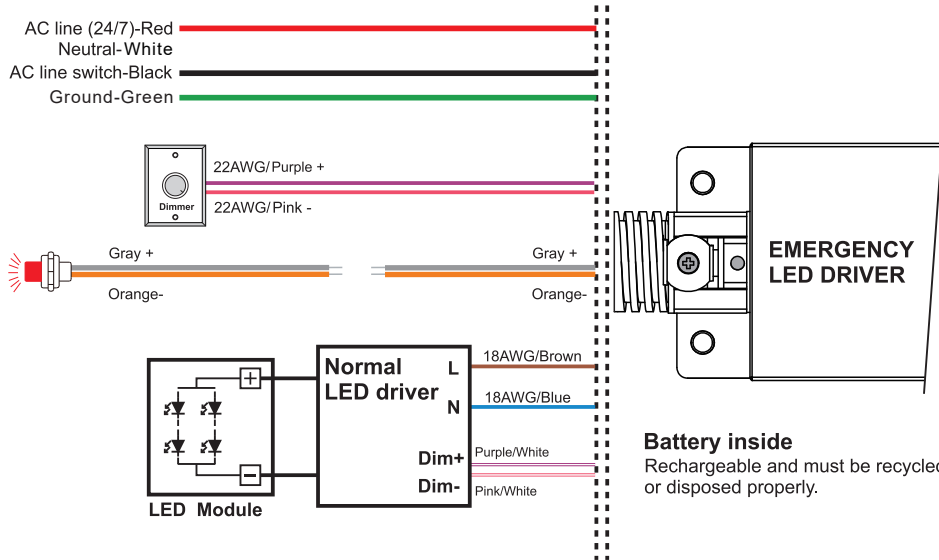


**CAUTION:**

- In order to avoid electric shock, during AC operation, do not touch or remove any wires.
- During emergency operation, before touching or disconnecting the wires, press the test button to turn the LED lamp and indicator light off to avoid electric shock .

Project Name:	Notes:	Date:	Type:
---------------	--------	-------	-------

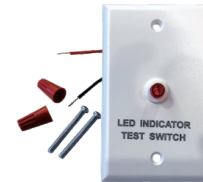
**WIRING DIAGRAM**



**Test switch and LED indicator**

**LED indicator**

Red stable: Charging mode  
Charging Fully  
OFF: Emergency mode



Indicator Light	Status	Comment
Red Stable	Charging Mode, Fully charged	AC mode, unit is operating correctly.
Flashing 2 times, Light off 2s, loop	Battery Error	Battery disconnected or fail 90mins duration test due to insufficient capacity
Flashing 3 times, Light off 2s, loop	Charging Error	Ensure input wiring is correct and verify input voltage & frequency are correct and stable.
Flashing 5 times, Light off 2s, loop	Temp Error	Overtemperature
Continuous Flashing	LED load abnormal	Matching test fail, self-check output abnormality

**Test switch**

- Press the switch to activate emergency mode; release it to return to charging mode.

**Rest mode**

Rest mode optimizes long-term battery storage by minimizing pleakage current to an exceptionally low level. To activate rest mode, press and hold the test switch for more than 3 seconds while in emergency mode. In this state, the battery is fully disconnected from the inverter, significantly reducing leakage current and thereby extending storage duation.

**Cancel faulty mode**

To cancel Faulty Mode:  
- End the discharge process.  
- Disconnect the battery while in emergency mode.  
- Press and hold the test button for more than 3 seconds while in emergency mode.

**OPERATION:**

WHEN AC POWER FAILS, EMERGENCY LED DRIVER IMMEDIATELY SWITCHES TO THE EMERGENCY MODE, OPERATING THE LEDS AT A REDUCED LUMEN OUTPUT FOR A MINIMUM OF 90 MINUTES. WHEN AC POWER IS RESTORED, THE EMERGENCY DRIVER AUTOMATICALLY RETURNS TO THE CHARGING MODE.