

| | | | | |
|-----------------|---------------|-------|-------|-------|
| Catalog Number: | Project Name: | Note: | Date: | Type: |
|-----------------|---------------|-------|-------|-------|

6th Generation Flat Panel

Portor's 6th Generation BLP6 series produce industry-leading performance with deep energy savings and continuous dimming. The compact, slick profile produces uniform and glare free lumen output.

Perfect application for retail stores, schools, offices, markets and restaurant.



CONSTRUCTION

Durable solid frame, prefabricated paint with matte white finished. Slim profile design. Integrated T-Bar mounting clips built in onto the fixture for easy installation.

ELECTRICAL

Luminaire is built with the highest quality driver that is Universal Voltage (120V-277V), uses long lasting, highly-efficient LED packages.

DRIVER

Driver is fixed on the back of the panel or side to prevent mis-handling during shipment.

OPTICAL SYSTEM

Back-lit optics produces uniform light output, diffuser lens reduces glare and improve overall energy efficiency.

DIMMING

Continuous dimming (0-10V) comes standard.

ENERGY SAVINGS

Over 50% energy savings than traditionally fluorescent fixtures, low heat productions requires less maintenance and operation cost.

LISTING

ETL Listed, DLC listed, FCC, RoHS, CE

WARRANTY

5 Years Limited Warranty, Rated for 50,000 hours
(See Warranty documentation for details).

| WATTAGE | DELIVERED LUMENS | EFFICACY |
|---------|------------------|----------|
| 25W | 3,029 @ 3500K | 120 lm/W |
| | 3,172 @ 4000K | 130 lm/W |
| | 3,017 @ 5000K | 119 lm/W |
| 30W | 3,538 @ 3500K | 116 lm/W |
| | 3,739 @ 4000K | 127 lm/W |
| | 3,529 @ 5000K | 115 lm/W |
| 40W | 4,563 @ 3500K | 110 lm/W |
| | 4,875 @ 4000K | 124 lm/W |
| | 4,519 @ 5000K | 109 lm/W |

Lumens are based on IES test results.

TECHNICAL SPECIFICATION

| | |
|-------------------|-----------------------------------|
| CCT | 3500K/4000K/5000K |
| CRI | 80+ |
| DIMMABLE | 0-10V dimming |
| VOLTAGE | 120V-277V |
| POWER FREQUENCY | 50/60 Hz |
| POWER FACTOR | >0.9 |
| THD | ≤20% |
| DRIVER EFFICIENCY | >85% |
| RATING | IP40, Suitable for damp locations |
| WARRANTY | 5 year limited |



ORDERING SAMPLE: - -

-

| Series | Size | CCT/Wattage | Accessories/Options | |
|--|-----------------------|--|-------------------------------|----------------------------------|
| PT-BLP6 LED Back-Lit Flat Panel with CCT and Wattage Selector Series | 22 - (2' x 2') | 3CP (CCT: 3500K/4000K/5000K) (Wattage: 25W/30W/40W) | EM Battery | Other |
| | | | ___ Blank EM PT-EMG-15W | ___ Blank SMK-BLP-22 FK-22 |

| | | | | |
|-----------------|---------------|-------|-------|-------|
| Catalog Number: | Project Name: | Note: | Date: | Type: |
|-----------------|---------------|-------|-------|-------|

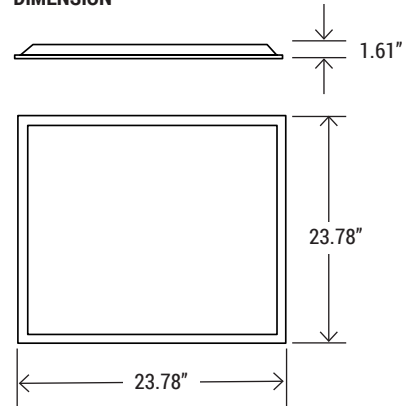


Front



Back

DIMENSION



QTY/CARTON



PIECES

Maintenance-free optical module sealed for life; no internal cleaning required.

EM BATTERY OPTION



EM (PT-EMG-8W) Standard

PT-EMG-15W

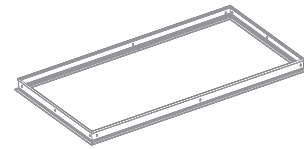
Low Voltage EM Battery (Additional cost)

OTHER



SMK-BLP-22

Surface mount kit for the 2x2 panel



FK-22

Flange kit for the 2x2 panel



DLC LISTING

| CATALOG NUMBER | WATTAGE | DELIVERED LUMENS | EFFICACY | DLC PRODUCT ID | CLASSIFICATION |
|----------------|---------|------------------|----------|----------------|----------------|
| PT-BPL6-22-3CP | 40W | 4,440 @ 3500K | 110 lm/W | S-GLRJTO | REGULAR |

| | | | | |
|-----------------|---------------|-------|-------|-------|
| Catalog Number: | Project Name: | Note: | Date: | Type: |
|-----------------|---------------|-------|-------|-------|

MOTION SENSORS



PT-BTN
Bluetooth Node



PT-MS-21-BT-JB
Bluetooth Dual Tech
Ceiling Sensor

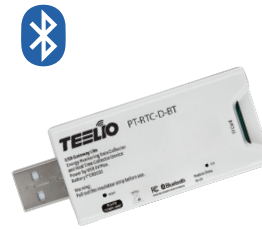
CONTROLLERS



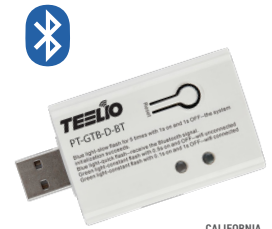
PT-BT-6
Bluetooth Fixture Sensor



PT-BTC-EM
Bluetooth EM Controller



PT-RTC-D-BT
Bluetooth Real Time Clock/
Energy Monitoring USB-A
Dongle



PT-GTB-D-BT
Bluetooth Gateway Bridge
USB-A Dongle



WALL SWITCHES



PT-5WS-BT-B
Battery 5 Button Wall Switch



PT-3WS-BT-B
Battery 3 Button Wall Switch



PT-3WS-BT-A
AC 3 Button Wall Switch



PT-1WS-MS-BT-A
PIR Sensor Wall Switch