

Catalog Number:	Project Name:	Note:	Date:	Type:
-----------------	---------------	-------	-------	-------

Portor PT-WPF Series is a full cut-off wall mounted luminaire designed in a slim profile to seamlessly blend into the environment while providing clean lines, a stylish finish, and optimal lighting; while maintaining a robust, durable housing. The WPF Series is available in two power selectable sizes with wattages ranging from 36W to 120W and integrates CCT selectable technology with 30K, 40K, and 50K options.

Ideal use for warehouses, walkways, building entry ways, parking lots, retail exteriors and shopping malls.

**WITH INTEGRATED PHOTOCELL**



**CONSTRUCTION**

The die-cast aluminum is a durable, powder-coated housing sealed by a silicone ring which enables the luminaire to achieve dust and weather resistance. The fixture has been constructed and complies with UL wet location ratings, IP65.

**ELECTRICAL**

Luminaire is built with the highest quality 0-10V dimmable LED driver that operates with Universal Voltage (120V-277V) and is completed with 4KV surge protection.

**OPTICAL SYSTEM**

Borosilicate glass lens designed to reduce glare and improve over-all light distribution through precision formed LED optics.

**ENERGY SAVINGS**

Over 50% energy savings than traditionally fluorescent fixtures, low heat productions requires less maintenance and operation cost.

**LISTING**

UL Listed, DLC Premium Listed, IP65 rating

**WARRANTY**

5 year Limited Warranty, Rated for 50,000 hours. See Warranty documentation for details.



PART #	WATTAGE	DELIVERED LUMENS	EFFICACY
<b>PT-WPF-LW</b>	36W	5954	165 lm/W
	48W	7552	160 lm/W
	60W	8856	157 lm/W
<b>PT-WPF-HW</b>	72W	10989	164 lm/W
	96W	13934	158 lm/W
	120W	17163	154 lm/W

*Based on actual wattage setting @ 4000K. Actual lumens may vary.*

**TECHNICAL SPECIFICATION**

CCT	3000K/4000K/5000K
CRI	82
DIMMABLE	0-10V Dimming
VOLTAGE	120V-277V
POWER FREQUENCY	50/60 Hz
POWER FACTOR	>0.9
THD	≤20%
WORKING TEMPERATURE	-40°F ~ 113°F
EM WORKING TEMPERATURE	-32°F ~ 122°F (with EM option)*
IP RATING	IP65 Wet Location
WARRANTY	5 year limited

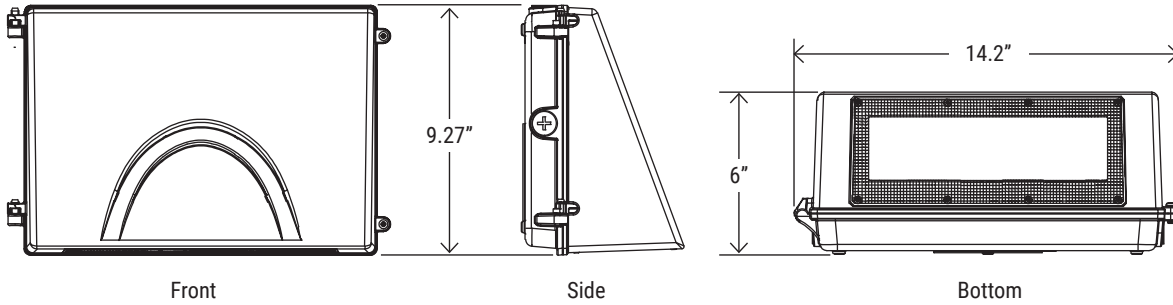
\*Please check EM label for more info

ORDERING SAMPLE:  -  -  -  -

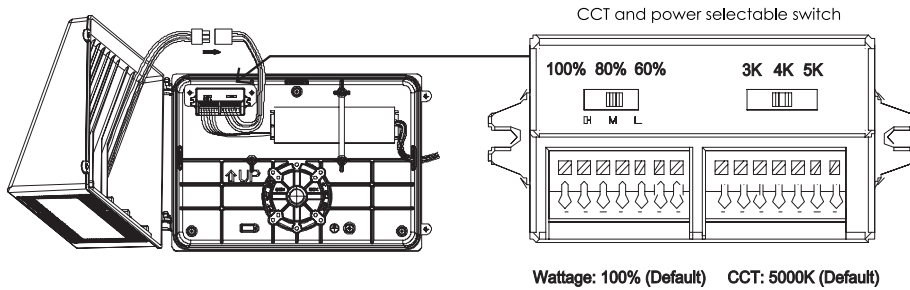
Series	Wattage	CCT	Finish	EM Battery (Optional)
<b>PT-WPF</b> Architectural Full Cut-Off Wall Pack	<b>LW</b> (36W/48W/60W) <b>HW</b> (72W/96W/120W)	<b>3CP</b> (3000K/4000K/5000K)	<b>blank</b> (Bronze) <b>W</b> (White)	<b>blank</b> EM (EM battery)

Catalog Number:	Project Name:	Note:	Date:	Type:
-----------------	---------------	-------	-------	-------

**DIMENSION**



Choose your desired wattage and color temperature by the DIP switches



**EM BATTERY**



EM LED Emergency Driver



**DLC LISTING**

CATALOG NUMBER	WATTAGE	DELIVERED LUMENS	EFFICACY	DLC PRODUCT ID	CLASSIFICATION
<b>PT-WPF-LW-3CP</b>	60W	8856 @ 4000K	157 lm/W	<b>S-3P0G8M</b>	PREMIUM
<b>PT-WPF-HW-3CP</b>	120W	17163 @ 4000K	154 lm/W	<b>S-B3QRZ1</b>	PREMIUM