

# INSTALLATION INSTRUCTIONS

## PT-CAT2 SERIES

PT-CAT2-HW-3CP

**PORTOR**  
LIGHTING  
a PORTOR INDUSTRY brand

**CCT** SELECTABLE  
**WATTAGE** SELECTOR



(Easily flip the switch for desired CCT/Wattage)

### CAUTION

- AVOID DIRECT EYE EXPOSURE TO THE LIGHT SOURCE WHILE IT IS ON.
- ACCOUNT FOR SMALL PARTS AND DESTROY PACKING MATERIAL, AS THESE MAY BE HAZARDOUS TO CHILDREN.
- **RISK OF BURN.** DISCONNECT POWER AND ALLOW FIXTURE TO COOL BEFORE CHANGING BULB OR HANDING FIXTURE.

### READ THESE INSTRUCTIONS COMPLETELY AND CAREFULLY

#### SAFETY

THIS FIXTURE MUST BE WIRED IN ACCORDANCE WITH THE NATIONAL ELECTRICAL CODE AND APPLICABLE LOCAL CODES AND ORDINANCES. PROPER GROUNDING IS REQUIRED TO INSURE PERSONAL SAFETY. CAREFULLY OBSERVE THE GROUNDING PROCEDURE UNDER INSTALLATION SECTION. ALL WORK SHOULD BE DONE BY A QUALIFIED ELECTRICIAN.

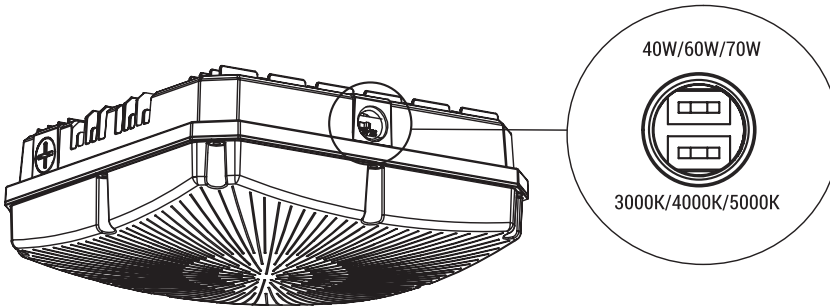
- **RISK OF ELECTRIC SHOCK** - DISCONNECT POWER AT FUSE OR CIRCUIT BREAKER BEFORE INSTALLING OR SERVICING.
- **RISK OF PERSONAL INJURY** - FIXTURE MAY BECOME DAMAGED AND/OR UNSTABLE IF NOT INSTALLED PROPERLY. TIGHTEN ALL FIXTURE COMPONENTS TO THEIR RECOMMENDED TORQUE VALUES.

#### WARNING

- TURN OFF ELECTRICAL POWER AT FUSE OR CIRCUIT BREAKER BOX BEFORE WIRING FIXTURE TO THE POWER SUPPLY.
- VERIFY THAT SUPPLY VOLTAGE IS CORRECT BY COMPARING IT WITH THE LUMINAIRE LABEL INFORMATION.
- ALL WIRING CONNECTIONS SHOULD BE CAPPED WITH UL APPROVED WIRE CONNECTORS.
- MIN 75°C SUPPLY CONDUCTOR

### INSTALLATION (ALWAYS TURN OFF THE POWER SUPPLY FROM MAIN CIRCUIT BREAKER FIRST!)

#### ADJUST THE COLOR TEMPERATURE /WATTAGE THROUGH THE SWITCH:

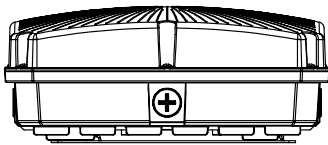


**CCT** SELECTABLE  
**WATTAGE** SELECTOR

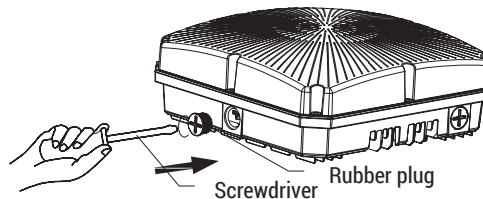
Move the switch left and right to get the desired color temperature/wattage.

#### STEP OF ADJUSTING COLOR TEMPERATURE AND WATTAGE:

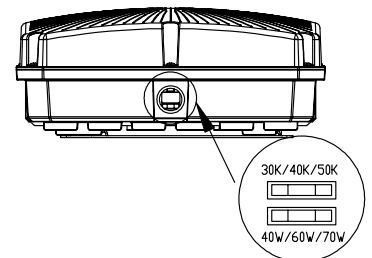
1. Please lay the fixture to a flat surface.



2. Use a correct size screwdriver to remove the rubber plug.



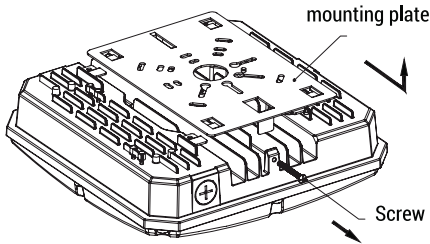
3. Move the switch left and right according to the desired color temperature/wattage.



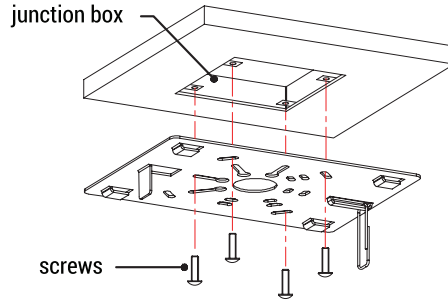
**INSTALLATION (PAGE 2)** (ALWAYS TURN OFF THE POWER SUPPLY FROM MAIN CIRCUIT BREAKER FIRST!)

**CEILING MOUNT:**

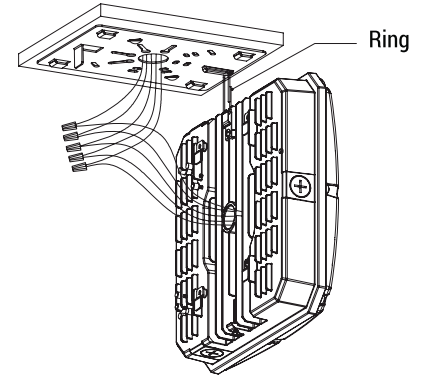
1. Loosen the screw to take off the mounting plate from the fixture.



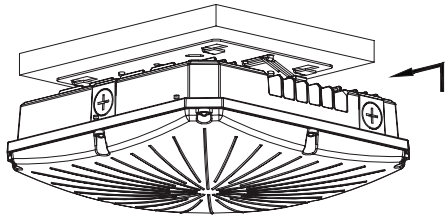
2. Use screws to lock the mounting plate on the embedded junction box.



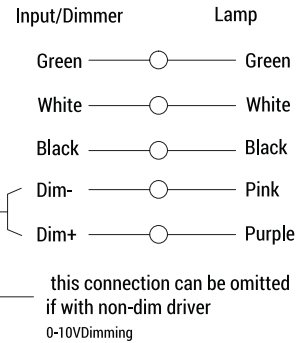
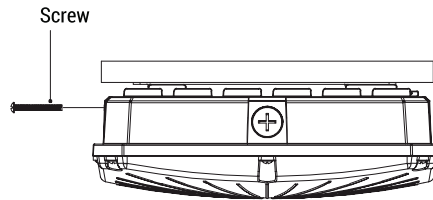
3. Hang the fixture on the ring so as to connect wires with terminal caps.



4. Hook up the fixture on the mounting plate.

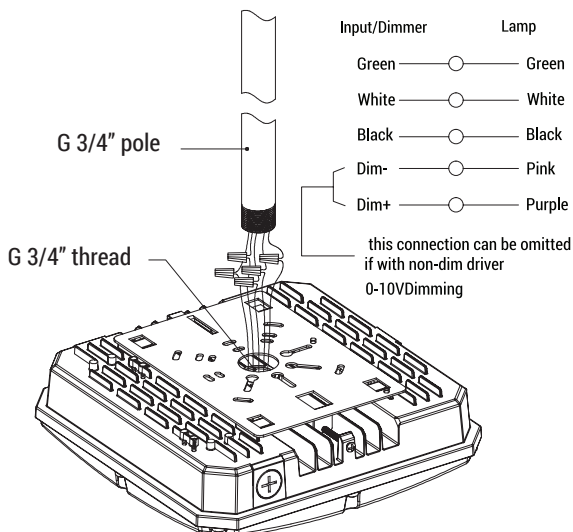


5. Secure the screw. Installation completed.

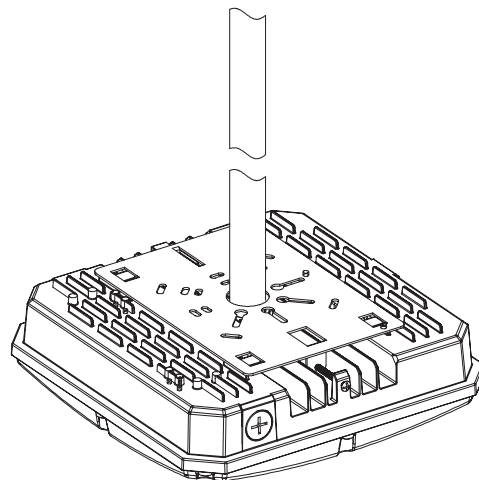


**POLE-PENDANT MOUNT:**

1. Connecting wires with terminal caps as picture below.



2. Rotating the pole to make it secured with fixture.



**THE INSTALLATION MUST BE CARRIED OUT BY A QUALIFIED ELECTRICIAN.**