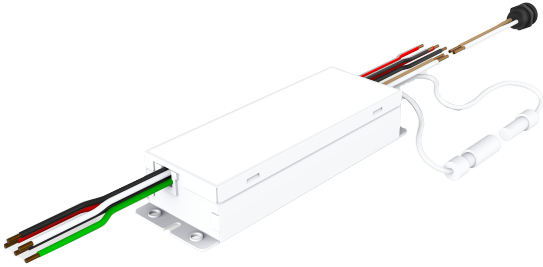


Project Name:	Notes:	Date:	Type:
---------------	--------	-------	-------



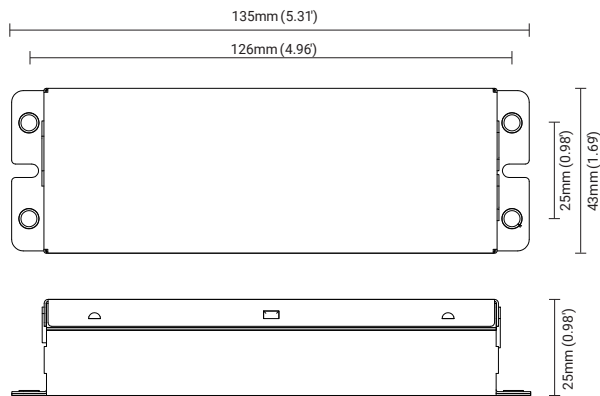
FEATURES

- Emergency battery for use with external drives
- Constant output power
- High temperature protection

LISTING

- UL924

DIMMENSIONS 8W



TECHNICAL SPECIFICATION

EMERGENCY POWER	8W
INPUT VOLTAGE	100-277 VAC
POWER FREQUENCY	50/60 Hz
INPUT CURRENT	50mA max
INPUT POWER	3W
RECHARGE TIME	24 hrs
OUTPUT VOLTAGE	20-55 VDC
EMERGENCY OPERATION	90 mins
BATTERY TYPE	Li-ion
AMBIENT TEMP.	32°F - 122°F
WARRANTY	5 year limited

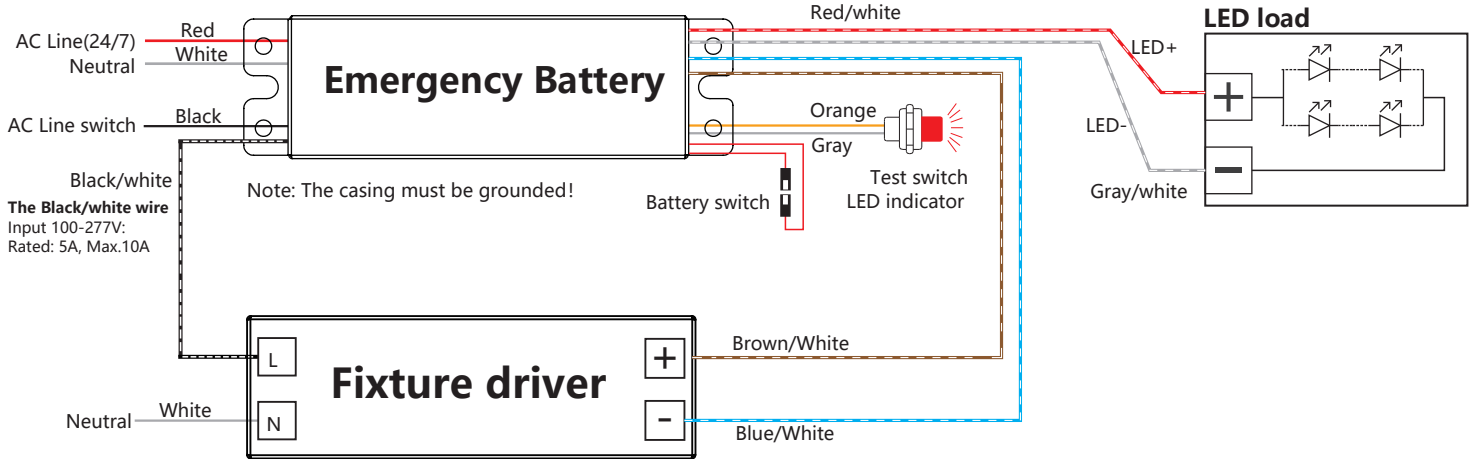


CAUTION:

- In order to avoid electric shock, during AC operation, do not touch or remove any wires.
- During emergency operation, before touching or disconnecting the wires, press the test button to turn the LED lamp and indicator light off to avoid electric shock .

Project Name:	Notes:	Date:	Type:
---------------	--------	-------	-------

WIRING DIAGRAM

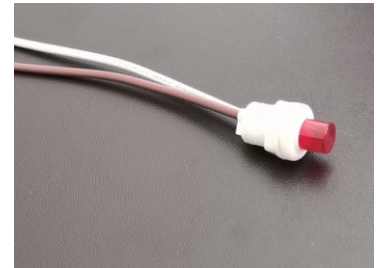


Test switch

- The Emergency Conversion Kit will enter emergency mode when the test switch is pressed while the main power supply is on.
- If the test switch is not pressed, the kit will remain in charging mode.

LED indicator

- Red (steady): Charging mode or fully charged.
- Red (off): Mains power is off or the unit is in discharging mode.



Installation instruction:

- This product must be installed by a licensed electrician.
- Verify and confirm all data and environmental conditions before installation.
- Suitable for installation in damp or wet locations.
- Can be used within sealed fixtures or in open areas of fixtures.
- Ensure it is placed away from flammable materials and in a location with good heat dissipation.
- For first-time use, charge the battery continuously for at least 24 hours to fully activate all battery cells for optimal charging and discharging performance.

OPERATION:

WHEN AC POWER FAILS, EMERGENCY LED DRIVER IMMEDIATELY SWITCHES TO THE EMERGENCY MODE, OPERATING THE LEDS AT A REDUCED LUMEN OUTPUT FOR A MINIMUM OF 90 MINUTES. WHEN AC POWER IS RESTORED, THE EMERGENCY DRIVER AUTOMATICALLY RETURNS TO THE CHARGING MODE.