

Catalog Number:	Project Name:	Note:	Date:	Type:
-----------------	---------------	-------	-------	-------

The HBU3-300W Round High Bay fixture is efficient, durable and designed to withstand harsh conditions with its remarkable heat dissipation, dust-tight body and resistance to water. With a CCT of 5000K.

Premium quality provides excellent solution for high-ceiling mount applications, especially in warehouse, storage, gymnasiums, retail spaces and convention centers.



**CONSTRUCTION**

Die-cast aluminum heat sink provides superior thermal transfer to extend lifespan of the luminaire. Built rugged to withstand harsh conditions, IP65 rated. Fixture comes standard with J-hook for suspended mounting.

**ELECTRICAL**

Luminaire is built with the highest quality driver that is Universal Voltage (120-277V), uses long lasting, high-efficient LED packages.

**LENS**

Clear PC lens.

**SENSOR READY**

Motion sensor ready (optional).

**ENERGY SAVINGS**

Over 50% energy savings than traditional fixtures, low heat productions requires less maintenance and operation cost.

**LISTING**

UL Listed, DLC Premium Listed, FCC, RoHS, CE, IP65 rated

**WARRANTY**

5 year Limited Warranty, Rated for 50,000 hours.  
See Warranty documentation for details.

WATTAGE	DELIVERED LUMENS	EFFICACY
<b>PT-HBU3-300W-50K</b>	45,384	153 lm/W

**TECHNICAL SPECIFICATION**

CCT	5000K
CRI	80
DIMMABLE	0-10V dimming
BEAM ANGLE	90°
VOLTAGE	120V - 277V
POWER FREQUENCY	50/60 Hz
POWER FACTOR	>0.9
THD	≤15%
WORKING TEMPERATURE	-40°F ~ 122°F
STORAGE TEMPERATURE	-40°F ~ 176°F
IP RATING	IP65 Wet Location
WARRANTY	5 year limited



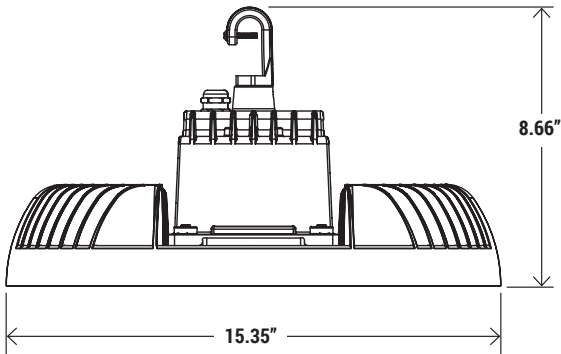
ORDERING SAMPLE:

-  -  -  -  -  -

Series	Wattage	CCT	Voltage	Accessories/Options (Sold separately)		
<b>PT-HBU3</b> Round High Bay	<b>300W</b>	<b>50K (50K)</b>	<b>Blank (120-277V)</b>	<b>EM Battery</b>	<b>Motion Sensor</b>	<b>Mounting</b>
				PT-A-EMU-40W	Blank (No option) MS-HBU3 RC1-HBU (Required)	Blank (No option) UB-HBU3-SM

Catalog Number:	Project Name:	Note:	Date:	Type:
-----------------	---------------	-------	-------	-------

**DIMENSION**



QTY/CARTON



PIECE

**EM BATTERY OPTION**



**PT-A-EMU-40W**  
Emergency LED Driver For Round High Bay

**SENSOR OPTION**



**MS-HBU3**  
Dimmable Motion Sensor



**RC1-HBU**  
Remote Control (Required)

**MOUNTING OPTION**



**UB-HBU3-SM**  
U-Bracket Mounting



**DLC LISTING**

CATALOG NUMBER	WATTAGE	DELIVERED LUMENS	EFFICACY	DLC PRODUCT ID	CLASSIFICATION
<b>PT-HBU3-300W-50K</b>	300W	45,384	153 lm/W	<b>PL4RY78WYR0E</b>	<b>PREMIUM</b>

