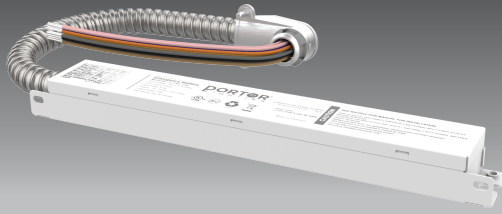


INSTALLATION INSTRUCTIONS

PT-EMA SERIES

PT-EMA-8W / PT-EMA-25W / PT-EMA-32W

PORTOR
LIGHTING
a PORTOR INDUSTRY brand



READ THESE INSTRUCTIONS COMPLETELY AND CAREFULLY

WARNING:

AC power must be off before proceeding with assembly or installation of emergency driver.

CAUTION: DO NOT USE OUTDOORS, SUITABLE FOR DRY ENVIRONMENTS.

CAUTION: DO NOT MOUNT NEAR GAS OR ELECTRONIC HEATERS.

CAUTION: EQUIPMENT SHOULD BE MOUNTED IN LOCATIONS AND AT HEIGHTS WHERE IT WILL NOT BE SUBJECTED TO TAMPERING BY UNAUTHORIZED PERSONNEL.

CAUTION: THE USE OF ACCESSORY EQUIPMENT NOT RECOMMENDED BY THE MANUFACTURER MAY CAUSE AN UNSAFE CONDITION.

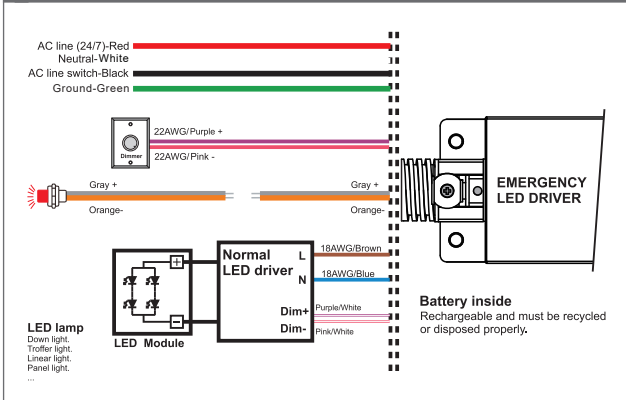
CAUTION: DO NOT USE THIS EQUIPMENT FOR OTHER THAN ITS INTENDED USE.

CAUTION: The equipment is intended for ordinary locations and for permanent installation into one or more listed emergency luminaires.

IMPORTANT: Please charge the battery consistently for > 24 hours for the first time usage so as to activate the whole battery cells of discharging/charging duration.

IMPORTANT: The products are produced with built-in batteries, which could be stocked for one year at most without being used. If clients keep them for more than one year, the batteries may be damaged. This is not covered in the warranty.

1. WIRING DIAGRAM



WARNING RISK OF INJURY

- Wear gloves and safety glasses at all times when removing, installing, servicing or performing maintenance.
- Avoid direct eye exposure to the light source when fixture is on.

WARNING RISK OF FIRE

- Keep combustible and other materials that can burn, away from lamp/lens.
- Do not operate in close proximity to persons, combustible materials, or substances affected by heat or drying.

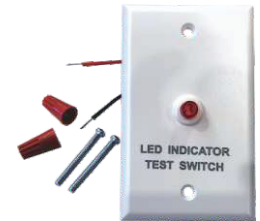
INSTALLATION (ALWAYS TURN OFF THE POWER SUPPLY FROM MAIN CIRCUIT BREAKER FIRST!)

TEST SWITCH

- Emergency conversion Kit will go into emergency mode if test switch is pressed when main supply is on, while it will go into charging mode if test switch is not pressed.
- In emergency mode, press the test switch for 3 seconds to turn off the current emergency state.

LED Indicator

- Red stable: charging mode or charging full.
- Red off: main power off or discharging mode.



Applicable LED lighting fixture types:

- Lighting fixtures total power < nominal emergency power, no need to have a 0-10V dimming function.
- Lighting fixtures total power more than the nominal emergency power must have a 0-10V dimming function.
- This product drive lamp's driver.