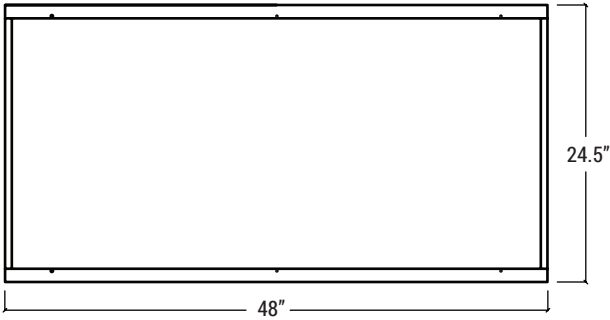


Project Name:	Notes:	Date:	Type:
---------------	--------	-------	-------

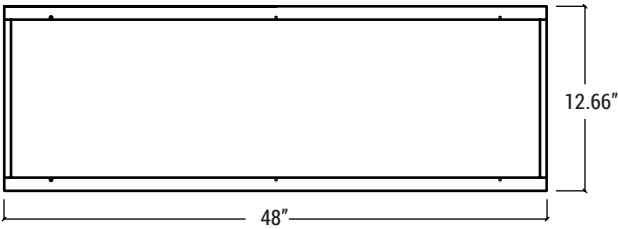
2' X 4'



SMK-BLP-24

2' x 4' Surface Mount Kit for Flat Panel

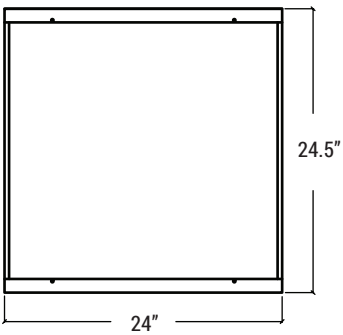
1' X 4'



SMK-BLP-14

1' x 4' Surface Mount Kit for Flat Panel

2' X 2'



SMK-BLP-22

2' x 2' Surface Mount Kit for Flat Panel

SIDE VIEW FOR ALL

