

| | | | | |
|-----------------|---------------|-------|-------|-------|
| Catalog Number: | Project Name: | Note: | Date: | Type: |
|-----------------|---------------|-------|-------|-------|

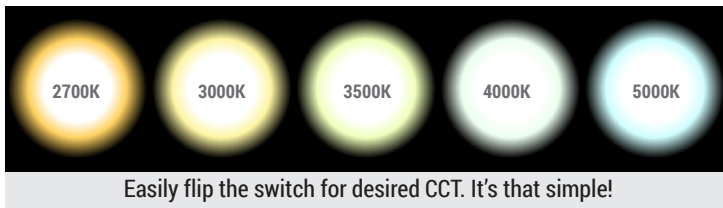
2nd Generation Disk Downlight

Portor's second generation disk downlight are an ideal solution when recessed fixtures are not an option. Available in multiple apertures, the DDL2 Series features color tunable technology that lets the user choose between 2700K, 3000K, 3500K, 4000K, or 5000K.

Ideal for drop ceilings, closets, attics, hallways, bathrooms, kitchens, basements, entry ways, porches (covered ceiling only), garages, stairwells, corridors, nursing/retirement homes, condos, elevators, apartments, and any other small areas with limited ceiling space.



TUNABLE 5-1 CCT SELECTOR



| NOMINAL WATTAGE | DELIVERED LUMENS | EFFICACY |
|-----------------|------------------|---------------|
| 10W | 540 LM @ 2700K | up to 60 lm/W |
| | 591 LM @ 3000K | |
| | 614 LM @ 3500K | |
| | 617 LM @ 4000K | |
| | 586 LM @ 5000K | |

Actual lumens may vary.

TECHNICAL SPECIFICATION

| | |
|-----------------|---------------------------------------|
| VOLTAGE | 120V |
| POWER FREQUENCY | 60 Hz |
| CRI | 90 |
| CCT | 2700K 3000K 3500K 4000K 5000K |
| BEAM ANGLE | 120° |
| IP RATING | Suitable for wet locations |
| DIMMABLE | Triac dimming |
| POWER FACTOR | >0.9 |
| OPERATING TEMP. | 14°F ~ 122°F (-10°C ~ 50°C) |
| LIFESPAN | 50,000 hrs (Based on 3 hrs/day) |
| WARRANTY | 5 year limited |

CONSTRUCTION

High quality aluminum and PC housing material with architectural white finish. Standard gasket included to ensure proper seal. J-box installations only.

ELECTRICAL

Luminaire is built with the highest quality 120V drivers, ensuring energy efficiency.

ENERGY SAVINGS

80% more energy savings than halogen lamps. Low heat production requires less air-conditioning requirements, further increasing energy cost savings.

DIMMING

Triac dimmable down to 10%. Compatible with most major brands of dimmers.

LISTING

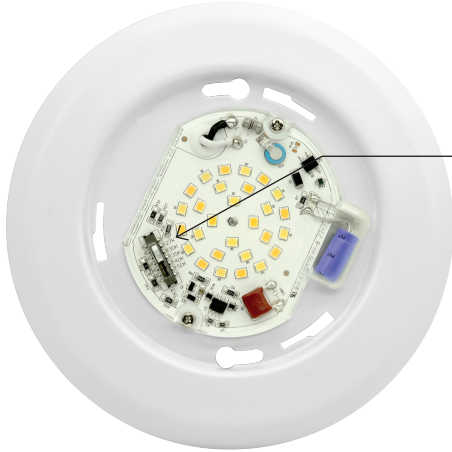
ETL Listed, FCC, RoHS, CE & Energy Star Listed



ORDERING SAMPLE: PT-DDL2-4I-10W-5CCT

| Series | Watts | Lumens | Lms/Watt | CCT | CRI | Voltage |
|---------------------|-------|-----------|----------|-------------------------------|-----|---------|
| PT-DDL2-4I-10W-5CCT | 10W | up to 617 | up to 60 | 2700K/3000K/3500K/4000K/5000K | 90 | 120V |

| | | | | |
|-----------------|---------------|-------|-------|-------|
| Catalog Number: | Project Name: | Note: | Date: | Type: |
|-----------------|---------------|-------|-------|-------|



Remove the lens and
Easily flip the switch
for desired CCT

- Fits most J-box
- Sealing gasket standard

QTY/CARTON

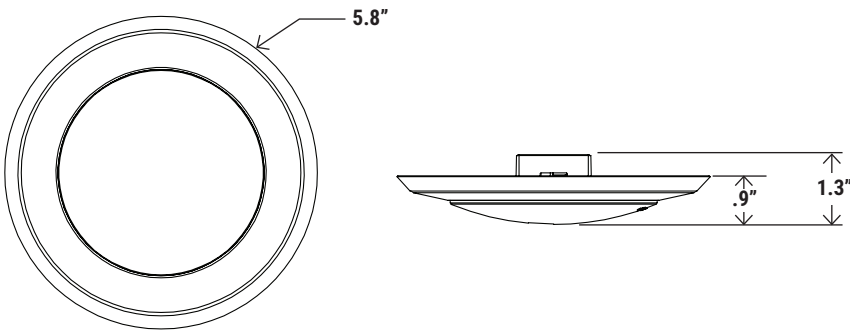
40

PIECES

**BULK24 OPTION
AVAILABLE**

Less Boxes Faster Installation

DIMENSION

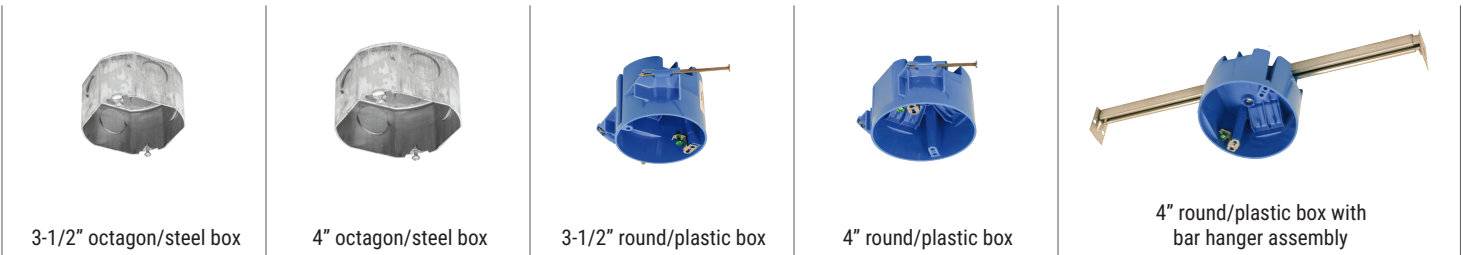


COMPATIBLE DIMMERS

| LUTRON |
|-------------|
| • PD-6WCL |
| • DVCL-153P |
| • CTCL-153P |
| • MACL-153M |
| • TGCL-153P |
| LEVITON |
| • 6681 |
| • 6672 |

MOUNTING OPTION

The junction boxes listed below are meant to be a reference list only. Junction box sizes may vary. It is the responsibility of the individual performing the installation to confirm that the fixture can properly and safely work with any junction box.



(For through circuit wiring applications, recommended j-box size is 2-1/8" deep)