



#### WARNING

- TO REDUCE THE RISK OF DEATH, PERSONAL INJURY OR PROPERTY DAMAGE FROM FIRE, ELECTRIC SHOCK, FALLING PARTS, CUTS/ABRASIONS, AND OTHER HAZARDS READ ALL WARNINGS AND INSTRUCTIONS INCLUDED WITH AND ON THE FIXTURE BOX AND ALL FIXTURE LABELS.
- BEFORE INSTALLING, SERVICING, OR PERFORMING ROUTINE MAINTENANCE UPON THIS EQUIPMENT, FOLLOW THESE GENERAL PRECAUTIONS.
- COMMERCIAL INSTALLATION, SERVICE AND MAINTENANCE OF LUMINAIRES SHOULD BE PERFORMED BY A QUALIFIED LICENSED ELECTRICIAN.
- **FOR THE INSTALLATION:** IF YOU ARE UNSURE ABOUT THE INSTALLATION OR MAINTENANCE OF THE LUMINAIRES, CONSULT A QUALIFIED LICENSED ELECTRICIAN AND CHECK YOUR LOCAL ELECTRICAL CODE.
- TO PREVENT WIRING DAMAGE OR ABRASION, DO NOT EXPOSE WIRING TO EDGES OF SHEET METAL OR OTHER SHARP OBJECTS.
- DO NOT MAKE OR ALTER ANY OPEN HOLES IN AN ENCLOSURE OF WIRING OR ELECTRICAL COMPONENTS DURING KIT INSTALLATION.

CAN NOT USE THE ELECTRIC GENERATOR TO TEST THE LED LAMP. PLEASE AVOID USING THE LED FIXTURE IN ENVIRONMENT WHERE THERE IS SMOKE, SULFUR, AND CORROSIVE SUBSTANCES. BUT IF USED IN SUCH ENVIRONMENT, MAKE SURE THE LED FIXTURE IS WELL PROTECTED BY AN ENCLOSED LAMPSHADE WHOSE DIMENSION IS NO LESS THAN BELOW SIZE, AND WHOSE MATERIAL IS EITHER GLASS OR SEMI-GLASS, SEMI-METALLIC. SURFACE OF THE LAMPSHADE SHALL NOT HAVE ANY COVERING WHICH PREVENTS HEAT DISSIPATION.

#### WARNING

- ADDED WEIGHT OF THE DEVICE MAY CAUSE INSTABILITY OF A FREE-STANDING
- PORTABLE LUMINAIRE
- USE ONLY WITH A PORTABLE LUMINAIRE THAT IS PROVIDED WITH A SHADE
- SUITABLE FOR USE IN ENCLOSED LUMINAIRES
- NOT FOR EMERGENCY LIGHTING.

### INSTALLATION (ALWAYS TURN OFF THE POWER SUPPLY FROM MAIN CIRCUIT BREAKER FIRST!)

#### 1.

Turn off the power switch.

#### 2.

Screw off the CFL or MHL or HPS and so on, see Figure (3) (4).

#### 3.

Take out led corn light and screw on, see Figure (1) (2).

Figure (1) (2) : AC internal driver,

(Note: Make sure to take off the ballast before installing LED corn light, otherwise the ballast will produce the resonance of high voltage and makes LED corn light breakdown.)

#### 4.

If security rope provided, fix the rope on the lamp with hand, then fix the wire of other end on the shell.

#### 5.

Turn on the power switch.

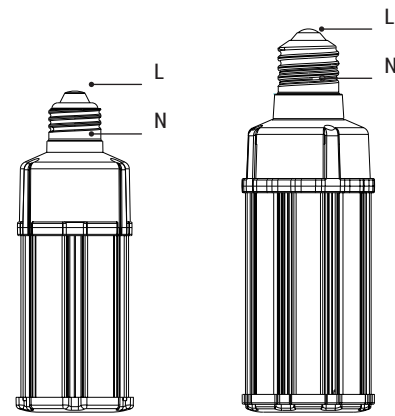


Fig. 1

Fig. 2

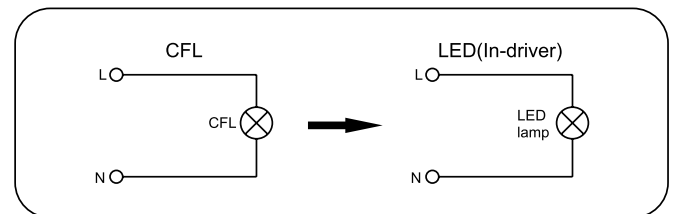


Fig. 3

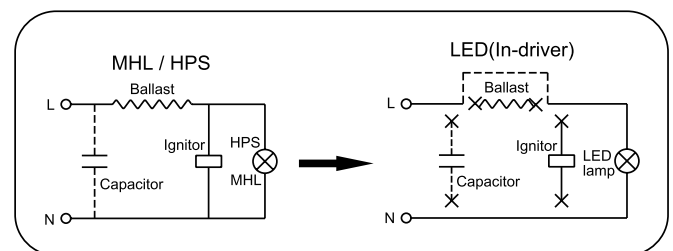


Fig. 4