

Project Name:

Notes:

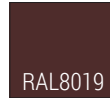
Date:

Type:

FOR  
**ROUND** POLE



**AVAILABLE COLORS**



Bronze



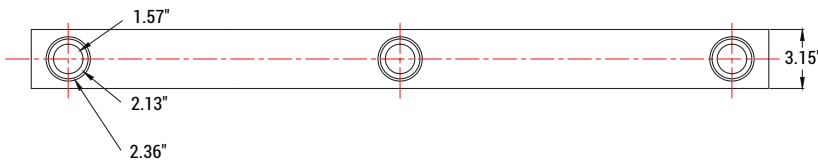
White



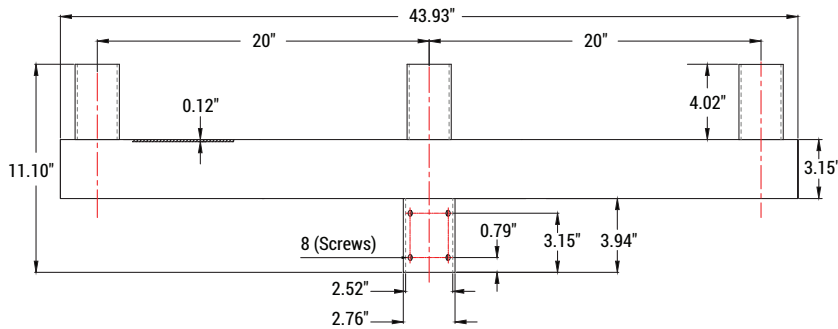
Black

(Products stocked in bronze. White and black are available at an additional charge.)

**PLEASE NOTE: Actual color of product may vary in printing.**



Top



Front

**DESCRIPTION**

The 4" triple vertical round pole tenon, base is with 8 screw holes.

**SPECIFICATIONS**

- Provides wiring access
- Built-in 2-3/8" outside diameter tenon
- Easy mounting a fixture with our slip-fitter

**MATERIALS**

- Made of carbon steel
- End-cap available