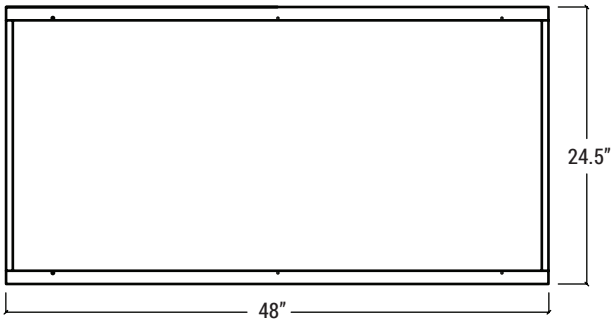


Project Name:	Notes:	Date:	Type:
---------------	--------	-------	-------

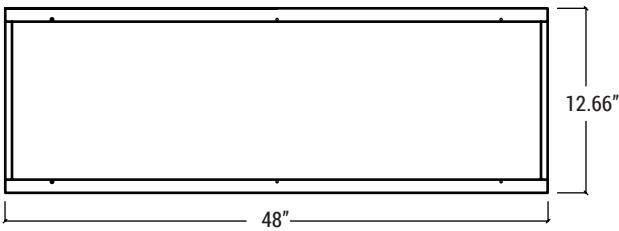
**2' X 4'**



**SMK-TRO-24**

2' x 4' Surface Mount Kit for Troffer

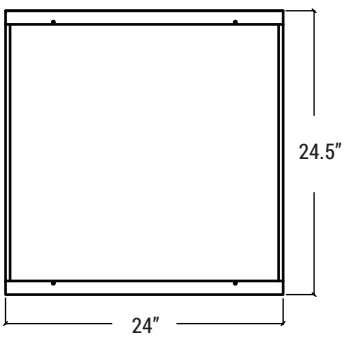
**1' X 4'**



**SMK-TRO-14**

1' x 4' Surface Mount Kit for Troffer

**2' X 2'**



**SMK-TRO-22**

2' x 2' Surface Mount Kit for Troffer

**SIDE VIEW FOR ALL**

