

Catalog Number:	Project Name:	Note:	Date:	Type:
-----------------	---------------	-------	-------	-------

Portor's Next Generation Linear High Bay provides high performance efficient and quality light output. Perfect for high ceiling commercial applications. Portor can also provide in-house installation solutions for accessories such as motion sensors or emergency battery back-ups, saving additional labor cost and installation lead time.

Ideal use for commercial application such as large warehouses, parking/storage garages, gymnasiums and retail stores with high ceilings.



**CONSTRUCTION**

Sleek slim design high bay with durable and solid form factor frame. Made out of quality aluminium allow body with white finish.

**OPTICS**

110° x 110° PC matte lens designed to reduce glare and improve light distribution through precision lens optics.

**ELECTRICAL**

Luminaire is built with the highest quality driver that is Universal Voltage (120V-27V), Long life, high-efficacy, micro-power LEDs. Continuous dimming (0-10V) comes standar

**MOUNTING**

Comes standard with V-Hooks and chains. Options available for pendant mount kit and surface mount kit.

**CONTROLS**

Options available for occupancy sensors with daylight harvesting fuction, TEELIO Bluetooth lighting controls, and Lutron AWN.

**LISTING**

UL Listed , DLC Premium Listed.

**WARRANTY**

5 Years Limited Warranty

**LIFESPAN**

L70 Rated for 100,000 hours

**TECHNICAL SPECIFICATION**

CCT	4000K/5000K
CRI	82
DIMMING	0-10V dimming
VOLTAGE	120V-277V
POWER FREQUENCY	50/60 Hz
POWER FACTOR	>0.9
CURRENT	.88A - 2.5A
THD	20%
WORKING TEMP	-4°F ~ 104°F
IP RATING	IP64 Suitable for damp locations
	<b>105W</b> S-JDT39V
	<b>155W</b> S-EMZU6J
DLC PRODUCT ID	<b>170W</b> S-FAD4Z7
	<b>210W</b> S-ODAZIC
	<b>300W</b> S-TURHP3



CATALOG NUMBER	WATTAGE	CCT	DELIVERED LUMENS	EFFICACY
PT-LHB-105W-2CCT	105W	4000K	14,175	135 lm/W
		5000K	14,280	136 lm/W
PT-LHB-155W-2CCT	155W	4000K	20,925	135 lm/W
		5000K	20,925	135 lm/W
PT-LHB-170W-2CCT	170W	4000K	22,950	135 lm/W
		5000K	22,950	135 lm/W
PT-LHB-210W-2CCT	210W	4000K	28,350	135 lm/W
		5000K	28,350	135 lm/W
PT-LHB-300W-2CCT	300W	4000K	40,500	135 lm/W
		5000K	40,500	135 lm/W

Catalog Number:	Project Name:	Note:	Date:	Type:
-----------------	---------------	-------	-------	-------

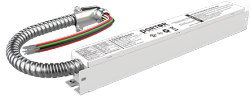
ORDERING SAMPLE: **PT-LHB-105W-2CCT-EMD-16W-UNI-35-PR-WG-HBL4-2FT**

<b>PT-LHB</b>	-		-	<b>2CCT</b>	-		-		-	
Fixture			Accessories/Options (Sold separately)							
Series	Wattage	CCT	EM Battery		Transformers		Analog Sensors			
PT-LHB	105W	2CCT (4000K/5000K)	___ Blank		___ Blank		___ Blank			
	155W		PT-EMD-16W	PT-SDT-325		PT-UNI-35-PR				
	170W		16W DC Emergency Battery Pack (For 105W* and 155W Fixtures)		325 VA Step Down Transformer (For 105W, 155W, 170W, and 210W Fixtures)		Audiojack PIR Motion Sensor W/ Daylight Harvesting			
	210W		PT-EMD-32W							
	300W		32W DC Emergency Battery Pack (For 170W*, 210W*, and 300W Fixtures)							
			*EM's Internally Installed							

	-		-		-	
Mounting	Fixture Add-Ons				Controls	
Surface Mount Kit	Wire Guards		Whips		Lutron AWN	
___ Blank SMK-HBL4 Surface Mount Kit for LHB Series	___ Blank WG-HBL4-2FT Wire Guard for 105W / 155W  WG-HBL4-4FT Wire Guard for 170W / 240W / 300W		___ Blank MC-5W-SC-6F 6FT 5 Wire MC Whip With Screw-in Connector MC-6W-SC-6F 6FT 6 Wire MC Whip With Screw-in Connector MC-5W-SN-HD-6F 6FT 5 Wire MC Whip With Snap-in Head Connector MC-6W-SN-HD-6F 6FT 6 Wire MC Whip With Snap-in Head Connector		___ Blank AWN-RF RF only Athena wireless node (White), Lutron Model # - A-WN-D01-RF-WH	
Pendant Mount Kit					TEELIO	
___ Blank PM-HBL4 Pendant Mount Kit for LHB Series					___ Blank PT-MS-35-BT Audiojack PIR Bluetooth Motion Sensor W/ Daylight Harvesting PT-BTC-6 6A Bluetooth Power Pack PT-BTN Internally Installed Low Voltage Bluetooth Node	

Catalog Number:	Project Name:	Note:	Date:	Type:
-----------------	---------------	-------	-------	-------

**EM BATTERY OPTION**



PT-EMD-16W / PT-EMD-32W  
16/32W DC Emergency Battery Pack

**TRANSFORMER**



PT-SDT-325  
Step-down Auto-transformer

**ANALOG SENSOR**



PT-UNI-35-PR  
Dimmable PIR  
Motion Sensor  
with Daylight Harvesting



ELB-UNI-35  
Elbow for PT-UNI-35-  
PR (Required)



MSS-RC-100  
Sensor Remote  
Control

**MOUNTING OPTIONS**

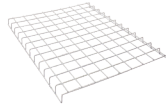


PM-HBL4  
Pendant Mount Kit

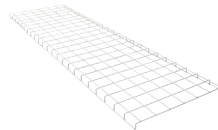


SMK-HBL4  
Surface Mount Kit

**WIREGUARDS**



WG-HBL4-2FT  
Wireguard for  
105W / 155W



WG-HBL4-4FT  
Wireguard for  
170W / 240W / 300W

**OTHER**



MC-5W-SC-6F / MC-6W-SC-6F(Screw-in)  
MC-5W-SN-HD-6F / MC-6W-SN-HD-6F(Snap-in)  
6FT 5 Wire MC Whip / 6FT 6 Wire MC Whip

**COMPATIBLE CONTROLS**



AWN-RF  
RF only Athena wireless node (White),  
Lutron Model # - A-WN-D01-RF-WH



PT-MS-35-BT  
Audiojack PIR Bluetooth  
Motion Sensor W/Daylight Harvesting



ELB-UNI-35  
Elbow for PT-UNI-35-  
PR (Required)



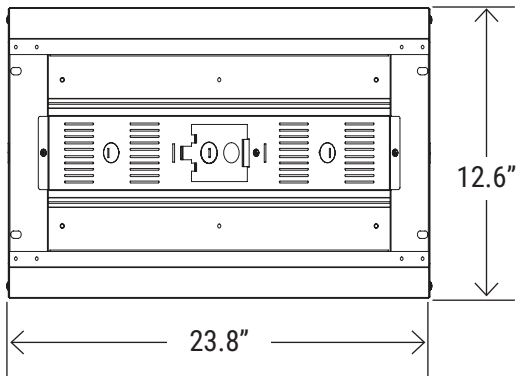
PT-BTC-6  
6A Bluetooth Power Pack



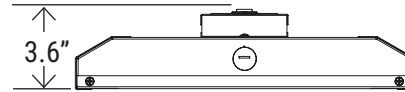
PT-BTN  
Internally Installed  
Low Voltage Node

Catalog Number:	Project Name:	Note:	Date:	Type:
-----------------	---------------	-------	-------	-------

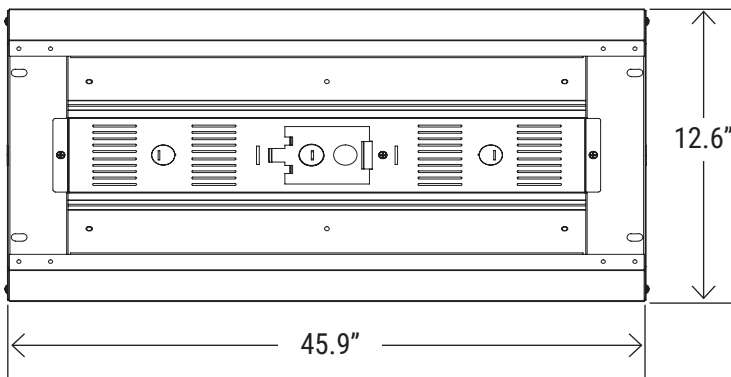
**DIMENSION**



**2'** 105W / 155W



SIDE PROFILE



**4'** 170W / 210W / 300W

**2' (105W / 155W)**  
Net Weight: **4.29 lbs**  
Gross Weight: **5.55 lbs**

**4' (300W)**  
Net Weight: **8.35 lbs**  
Gross Weight: **9.3 lbs**

**4' (170W / 210W)**  
Net Weight: **7.55 lbs**  
Gross Weight: **8.73 lbs**

QTY/CARTON



PIECES



**WHATS IN THE BOX?**

- Fixture
- Installation Sheet
- 3' 5" Chain Kit Mount
- V-Hooks