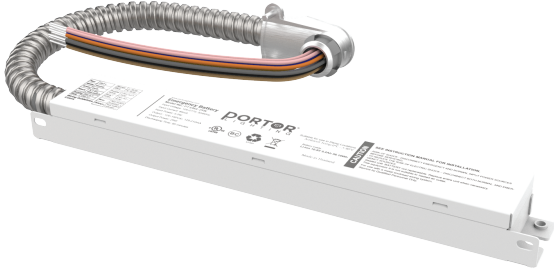


Project Name:	Notes:	Date:	Type:
---------------	--------	-------	-------



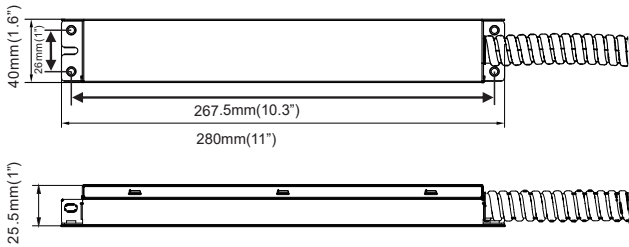
FEATURES

- Damp Location Rated
- Low energy consumption
- Constant output power
- 90 Minute Emergency Time

LISTING

- UL Listed

DIMMENSIONS 8W



TECHNICAL SPECIFICATION

EMERGENCY POWER	8W
INPUT VOLTAGE	100-277 VAC
POWER FREQUENCY	50/60 Hz
INPUT CURRENT	80mA max
INPUT POWER	5W
RECHARGE TIME	24 hrs
OUTPUT VOLTAGE	150-170 VDC
EMERGENCY OPERATION	90 mins
BATTERY TYPE	Li-ion
AMBIENT TEMP.	32°F - 122°F
WARRANTY	5 year limited

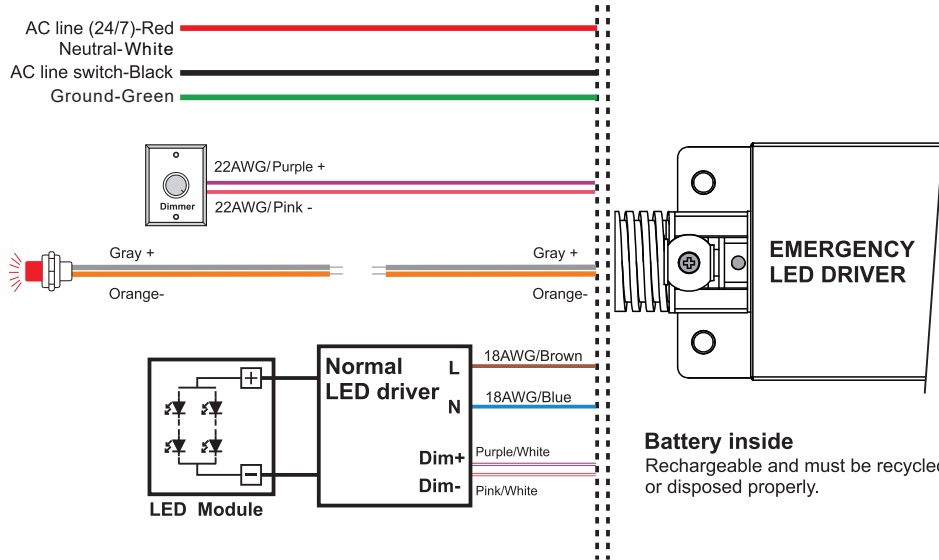


CAUTION:

- In order to avoid electric shock, during AC operation, do not touch or remove any wires.
- During emergency operation, before touching or disconnecting the wires, press the test button to turn the LED lamp and indicator light off to avoid electric shock .

Project Name:	Notes:	Date:	Type:
---------------	--------	-------	-------

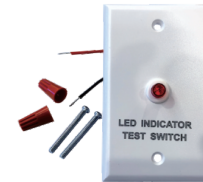
WIRING DIAGRAM



Test switch and LED indicator

LED indicator

Red stable: Charging mode
Charging Fully
OFF: Emergency mode



Indicator Light	Status	Comment
Red Stable	Charging Mode, Fully charged	AC mode, unit is operating correctly.
Flashing 2 times, Light off 2s, loop	Battery Error	Battery disconnected or fail 90mins duration test due to insufficient capacity
Flashing 3 times, Light off 2s, loop	Charging Error	Ensure input wiring is correct and verify input voltage & frequency are correct and stable.
Flashing 5 times, Light off 2s, loop	Temp Error	Overtemperature
Continuous Flashing	LED load abnormal	Matching test fail, self-check output abnormality

Test switch

- Press the switch to activate emergency mode; release it to return to charging mode.

Rest mode

Rest mode optimizes long-term battery storage by minimizing pleakage current to an exceptionally low level. To activate rest mode, press and hold the test switch for more than 3 seconds while in emergency mode. In this state, the battery is fully disconnected from the inverter, significantly reducing leakage current and thereby extending storage duation.

Cancel faulty mode

To cancel Faulty Mode:
- End the discharge process.
- Disconnect the battery while in emergency mode.
- Press and hold the test button for more than 3 seconds while in emergency mode.

OPERATION:

WHEN AC POWER FAILS, EMERGENCY LED DRIVER IMMEDIATELY SWITCHES TO THE EMERGENCY MODE, OPERATING THE LEDS AT A REDUCED LUMEN OUTPUT FOR A MINIMUM OF 90 MINUTES. WHEN AC POWER IS RESTORED, THE EMERGENCY DRIVER AUTOMATICALLY RETURNS TO THE CHARGING MODE.