

Catalog Number:	Project Name:	Note:	Date:	Type:
-----------------	---------------	-------	-------	-------

The PT-EML-S Series is a dual head LED fixture with a minimum up time of 90 minutes during outages. The dual head LEDs are adjustable to optimize lighting direction in difficult applications. This fixture is universally mountable with a j-box style for ease of install and complies with UL924, UL damp location, NFPA 101, NEC/OSHA, Title 20 and adheres to the majority of state and local codes for indoor exit and emergency lighting solutions.

Ideal use for commercial buildings, industrial facilities, entryways, stairways, and hallways.



CONSTRUCTION

Market standard mold consisting of thermoplastic ABS housing with UL 94V-0 flame rating. 2X12pcs ultra bright 2835 SMT LED lamp heads for emergency mode.

ELECTRICAL

Dual voltage operation with 120V/277VAC and input watt of 2.4. Includes built-in 3.6V600mAh nickel cadmium battery with a 90 minute runtime and 24 hour charge time.

MOUNTING

The universal J-Box mounting pattern is suitable for ceiling or wall mount applications.

ENERGY SAVINGS

LED emergency lights may reduce energy consumption up to 85% and lower overall maintenance costs.

LISTING

UL Listed, RoHS,

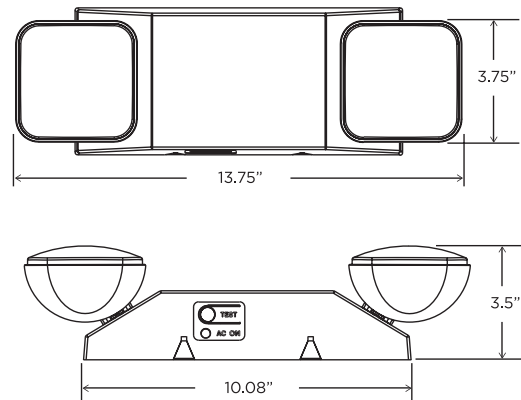
WARRANTY

5 year limited warranty on electrical parts and housing.

TECHNICAL SPECIFICATION

INPUT WATT	2.4W
LUMENS	252 lm
VOLTAGE	Dual Voltage 120V-277V
BATTERY TYPE	3.6V600mAh Nickel Cadmium
EM RUN TIME	90 mins
CHARGING TIME	24 hrs
WORKING TEMPERATURE	32°F ~ 104°F
IP RATING	Indoor Damp Location

DIMENSION



ORDERING SAMPLE: PT-EML-S

Series	Style/Shape	Finish	Mounting
PT-EML Double Head Emergency Light	S (Square)	White	Universal mounting (Ceiling, Wall)