

# INSTALLATION INSTRUCTIONS

## PT-WPF SERIES

PT-WPF-LW-3CP (EM) / PT-WPF-HW-3CP (EM)

**PORTOR**  
LIGHTING  
a PORTOR INDUSTRY brand



### READ THESE INSTRUCTIONS COMPLETELY AND CAREFULLY

#### SAFETY

THIS FIXTURE MUST BE WIRED IN ACCORDANCE WITH THE NATIONAL ELECTRICAL CODE AND APPLICABLE LOCAL CODES AND ORDINANCES. PROPER GROUNDING IS REQUIRED TO INSURE PERSONAL SAFETY. CAREFULLY OBSERVE THE GROUNDING PROCEDURE UNDER INSTALLATION SECTION. ALL WORK SHOULD BE DONE BY A QUALIFIED ELECTRICIAN.

- **RISK OF ELECTRIC SHOCK** - DISCONNECT POWER AT FUSE OR CIRCUIT BREAKER BEFORE INSTALLING OR SERVICING.
- **RISK OF PERSONAL INJURY** - FIXTURE MAY BECOME DAMAGED AND/OR UNSTABLE IF NOT INSTALLED PROPERLY. TIGHTEN ALL FIXTURE COMPONENTS TO THEIR RECOMMENDED TORQUE VALUES.

#### WARNING

- TURN OFF ELECTRICAL POWER AT FUSE OR CIRCUIT BREAKER BOX BEFORE WIRING FIXTURE TO THE POWER SUPPLY.
- TURN OFF THE POWER WHEN YOU PERFORM ANY MAINTENANCE.
- VERIFY THAT SUPPLY VOLTAGE IS CORRECT BY COMPARING IT WITH THE LUMINAIRE LABEL INFORMATION.
- ALL WIRING CONNECTIONS SHOULD BE CAPPED WITH UL APPROVED WIRE CONNECTORS.

#### CAUTION

- AVOID DIRECT EYE EXPOSURE TO THE LIGHT SOURCE WHILE IT IS ON.
- ACCOUNT FOR SMALL PARTS AND DESTROY PACKING MATERIAL, AS THESE MAY BE HAZARDOUS TO CHILDREN.
- **RISK OF BURN.** DISCONNECT POWER AND ALLOW FIXTURE TO COOL BEFORE CHANGING BULB OR HANDING FIXTURE.

### INSTALLATION (ALWAYS TURN OFF THE POWER SUPPLY FROM MAIN CIRCUIT BREAKER FIRST!)

1. Disassembly the FWP by unscrewing the 2 screws on right side of the fixture, and put aside the front housing on a flat surface (Fig 1).

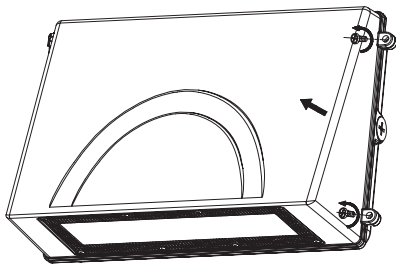


Fig 1

Easily flip the switch for desired CCT and Wattage



2. Fix the rear housing on the wall.

**METHOD 1:** Drill holes at the three "A" mounting points on the rear housing (Fig 2), and drill holes on the wall as per the hole locations on the rear housing (Fig 3).

**METHOD 2:** Drill holes as per existing junction box. (Fig 4)

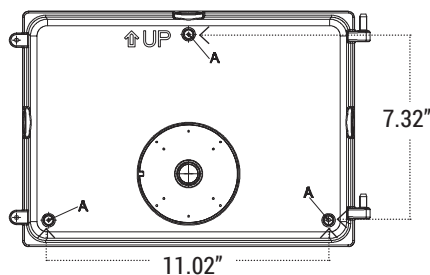


Fig 2

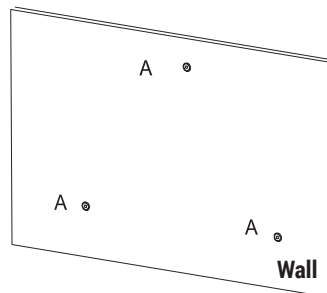


Fig 3

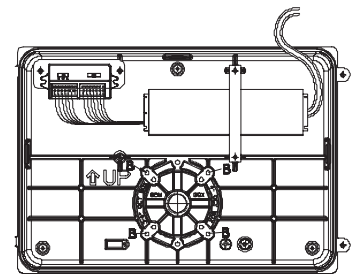


Fig 4

# INSTALLATION INSTRUCTIONS

## PT-WPF SERIES

PT-WPF-LW-3CP (EM) / PT-WPF-HW-3CP (EM)

### INSTALLATION (ALWAYS TURN OFF THE POWER SUPPLY FROM MAIN CIRCUIT BREAKER FIRST!)

**3.** Feed wires through the 1/2" knock out (Fig 5), and install the rear housing.

**METHOD 1:** Fix the rear housing on the wall by 3 screws (not provided) (Fig 6).

**METHOD 2:** Fix the rear housing by 4 screws (not provided) to the existing junction box on the wall (Fig 7).

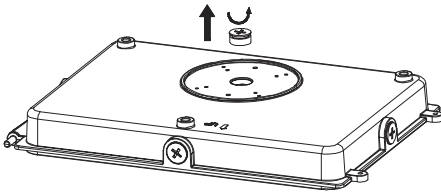


Fig 5

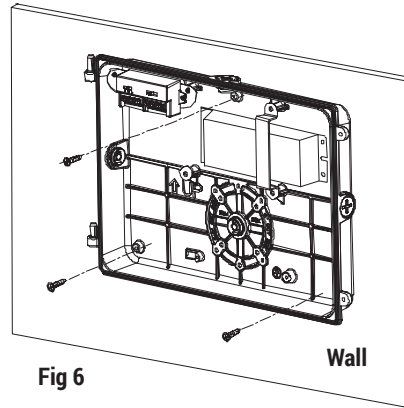


Fig 6

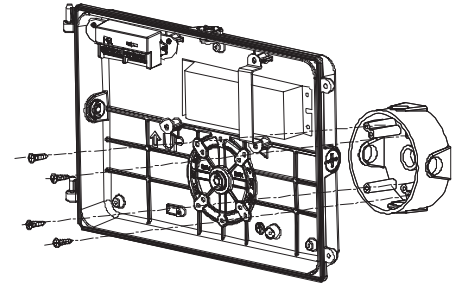


Fig 7

**4.** Attach the front housing with the rear housing, and connect the male and female connectors (Fig 8).

**5.** Choose your desired wattage and color temperature by the DIP switches (Fig 9).

**6.** Check if the fixture work properly and lock the fixture by the 2 side screws. Installation is completed (Fig 10).

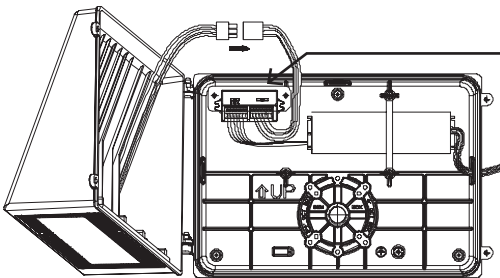


Fig 8

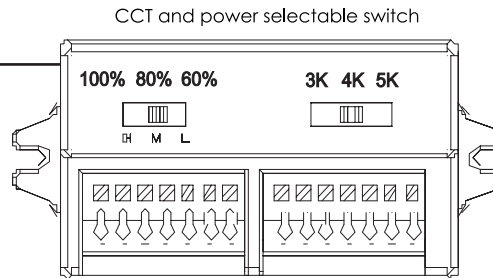


Fig 9

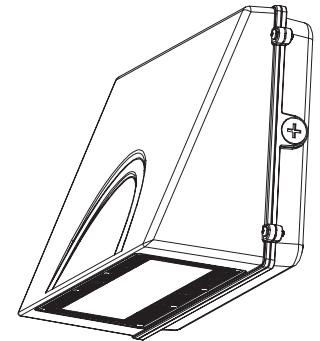


Fig 10

