

| | | | | |
|-----------------|---------------|-------|-------|-------|
| Catalog Number: | Project Name: | Note: | Date: | Type: |
|-----------------|---------------|-------|-------|-------|

Portor PT-WPF Series is a full cut-off wall mounted luminaire designed in a slim profile to seamlessly blend into the environment while providing clean lines, a stylish finish, and optimal lighting; while maintaining a robust, durable housing. The WPF Series is available in two power selectable sizes with wattages ranging from 36W to 120W and integrates CCT selectable technology with 30K, 40K, and 50K options.

Ideal use for warehouses, walkways, building entry ways, parking lots, retail exteriors and shopping malls.

WITH INTEGRATED PHOTOCELL



CONSTRUCTION

The die-cast aluminum is a durable, powder-coated housing sealed by a silicone ring which enables the luminaire to achieve dust and weather resistance. The fixture has been constructed and complies with UL wet location ratings, IP65.

ELECTRICAL

Luminaire is built with the highest quality 0-10V dimmable LED driver that operates with Universal Voltage (120V-277V) and is completed with 4KV surge protection.

OPTICAL SYSTEM

Borosilicate glass lens designed to reduce glare and improve over-all light distribution through precision formed LED optics.

ENERGY SAVINGS

Over 50% energy savings than traditionally fluorescent fixtures, low heat productions requires less maintenance and operation cost.

LISTING

UL Listed, DLC Premium Listed , IP65 rating

WARRANTY

5 year Limited Warranty, Rated for 50,000 hours. See Warranty documentation for details.

| PART # | WATTAGE | DELIVERED LUMENS | EFFICACY |
|------------------|---------|------------------|----------|
| PT-WPF-LW | 36W | 5954 | 165 lm/W |
| | 48W | 7552 | 160 lm/W |
| | 60W | 8856 | 157 lm/W |
| PT-WPF-HW | 72W | 10989 | 164 lm/W |
| | 96W | 13934 | 158 lm/W |
| | 120W | 17163 | 154 lm/W |

Based on actual wattage setting @ 4000K. Actual lumens may vary.

TECHNICAL SPECIFICATION

| | |
|------------------------|---------------------------------|
| CCT | 3000K/4000K/5000K |
| CRI | 82 |
| DIMMABLE | 0-10V Dimming |
| VOLTAGE | 120V-277V |
| POWER FREQUENCY | 50/60 Hz |
| POWER FACTOR | >0.9 |
| THD | ≤20% |
| WORKING TEMPERATURE | -40°F ~ 113°F |
| EM WORKING TEMPERATURE | -32°F ~ 122°F (with EM option)* |
| IP RATING | IP65 Wet Location |
| WARRANTY | 5 year limited |

*Please check EM label for more info

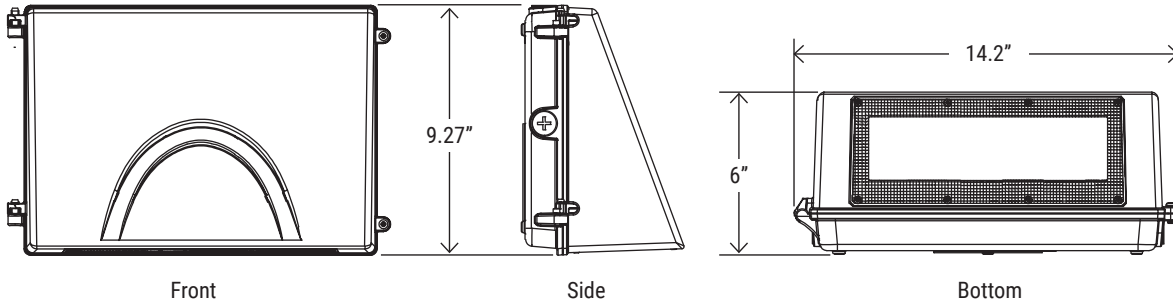


ORDERING SAMPLE: - - - -

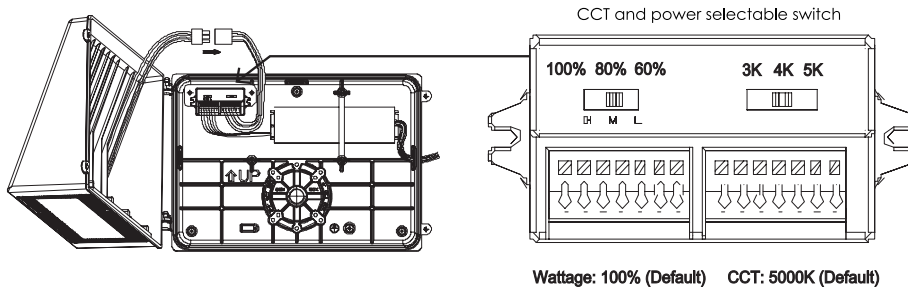
| Series | Wattage | CCT | Finish | EM Battery (Optional) |
|--|---|--------------------------------|---|---------------------------------|
| PT-WPF Architectural Full Cut-Off Wall Pack | LW (36W/48W/60W) HW (72W/96W/120W) | 3CP (3000K/4000K/5000K) | blank (Bronze) W (White) | blank EM (EM battery) |

| | | | | |
|-----------------|---------------|-------|-------|-------|
| Catalog Number: | Project Name: | Note: | Date: | Type: |
|-----------------|---------------|-------|-------|-------|

DIMENSION



Choose your desired wattage and color temperature by the DIP switches



EM BATTERY



EM
LED Emergency Driver



DLC LISTING

| CATALOG NUMBER | WATTAGE | DELIVERED LUMENS | EFFICACY | DLC PRODUCT ID | CLASSIFICATION |
|----------------|---------|------------------|----------|----------------|----------------|
| PT-WPF-LW-3CP | 60W | 8856 @ 4000K | 157 lm/W | S-3P0G8M | PREMIUM |
| PT-WPF-HW-3CP | 120W | 17163 @ 4000K | 154 lm/W | S-B3QRZ1 | PREMIUM |