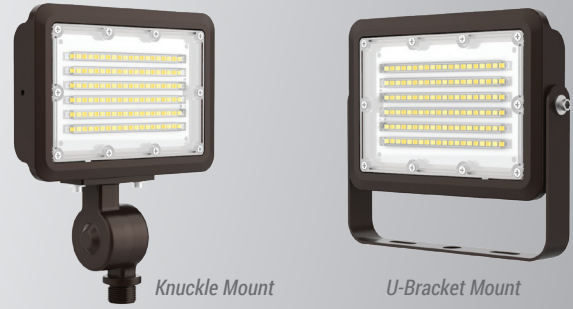


Catalog Number:	Project Name:	Note:	Date:	Type:
-----------------	---------------	-------	-------	-------

The second generation FLM2 flood light series combines energy efficiency and advance optical control. The slim profile delivers enhanced lighting performance. Robust housing can withstand harsh outdoor environments.

Available with knuckle mount or a u-bracket mount for convenient mounting option. Ideal use for facades, outdoor, signage, shopping centers, industrial areas and other outdoor places with spot lighting is needed.



CONSTRUCTION

Corrosion resistant die-cast aluminum housing with excellent heat management equipped for long lasting durability. Weather-proof gasketed that is IP65 rated. Small slim profile make it versatile for various different application.

ELECTRICAL

Luminaire is built with the highest quality driver that is Universal Voltage (120-277V), uses long lasting, high-efficient LED packages.

OPTICAL SYSTEM

Compact rugged glass lens is designed to reduce glare and improve overall light-distribution through precision formed lens optics.

ENERGY SAVINGS

Over 50% energy savings than traditionally fixtures, low heat productions requires less maintenance and operation cost.

LISTING

UL Listed, DLC Premium Listed, IP65 rated, RoHS

WATTAGE	DELIVERED LUMENS	EFFICACY
40W	6,399	up to 165 lm/W
50W	7,762	
60W	9,229	

Based on IES results @ 4000K. Actual lumens may vary.

TECHNICAL SPECIFICATION

CCT	3000K/4000K/5000K
CRI	70+
DIMMABLE	0-10V dimmable
PHOTOCELL	Photocell pre-installed
BEAM ANGLE	130°x130°
VOLTAGE	120V-277V
POWER FREQUENCY	50/60 Hz
POWER FACTOR	>0.9
WORKING TEMPERATURE	-40°F - +113°F
IP RATING	IP65 Wet Location
WARRANTY	5 year limited

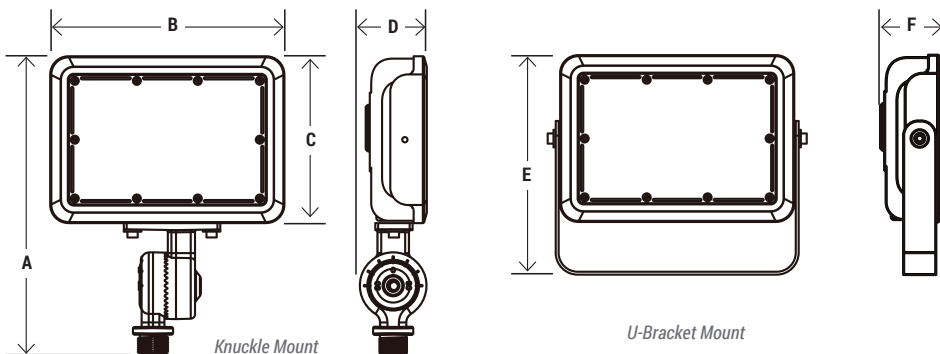


ORDERING SAMPLE: - - - - -

Series	Wattage	CCT	Voltage	Mounting (Included)	Option
PT-FLM2 Mini Flood Light	MW (40W/50W/60W)	3CP (3000K/4000K/5000K)	blank (120-277V)	K (1/2" Knuckle) U (U-bracket)	JB-FL

Catalog Number:	Project Name:	Note:	Date:	Type:
-----------------	---------------	-------	-------	-------

DIMENSION



QTY/CARTON

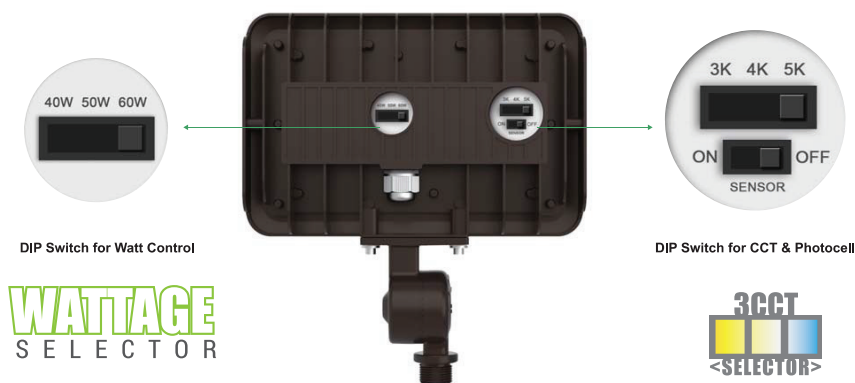


PIECE

(Knuckle and U-bracket mounting included)

CATALOG	A	B	C	D	E	F
PT-FLM2-MW-3CP	9"	8.27"	5.5"	1.81"	7.4"	1.8"

CCT AND WATTAGE SELECTOR GUIDANCE



JUNCTION BOX OPTION



JB-FL
Floodlight Junction Box for
Knuckle Mounting Option