

Catalog Number:	Project Name:	Note:	Date:	Type:
-----------------	---------------	-------	-------	-------

**DESCRIPTION**

Portor's second generation PT-WPM2 series combines economical and security solution for outdoor perimeter and building facades. The LED driver is mounted in direct contact with the casting to promote low operating temperature and long life.

Ideal use for warehouses, walkways, building entry ways, parking lots, retail exteriors and shopping malls.



**CONSTRUCTION**

Die-Cast aluminum housing. Sealed by a silicone ring that makes the fixture waterproof, internal level ensures installation is horizontal.

**DUSK TO DAWN**

Internal photocell design which can automatically turn on at dusk and turn off at dawn for up to 70% of energy saving.

**ELECTRICAL**

Luminaire is built with the highest quality driver that is Universal Voltage (120V-277V), uses long lasting, high-efficient LED packages.

**OPTICAL SYSTEM**

PC lens designed to reduce glare and improve over-all light distribution through precision formed LED optics.

**ENERGY SAVINGS**

Over 50% energy savings than traditionally fluorescent fixtures, low heat productions requires less maintenance and operation cost.

**LISTING**

UL Listed, DLC Premium listed, FCC, RoHS, CE, IP65 rated

**WARRANTY**

5 year Limited Warranty

WATTAGE	DELIVERED LUMENS	EFFICACY
15W	2,129	137 lm/W
20W	2,600	130 lm/W
30W	3,766	125 lm/W

*Based on setting @ 5000K. Actual lumens may vary.*

**TECHNICAL SPECIFICATION**

CCT	3000K/4000K/5000K
CRI	80+
DIMMABLE	0-10V dimming standard
SENSOR	Photocell standard
VOLTAGE	120V-277V
POWER FREQUENCY	50/60 Hz
POWER FACTOR	>0.9
THD	≤20%
WORKING TEMPERATURE	-40°F - +113°F
IP RATING	IP65 Wet Location
LIFE SPAN	50,000 hrs
WARRANTY	5 year limited



ORDERING SAMPLE:

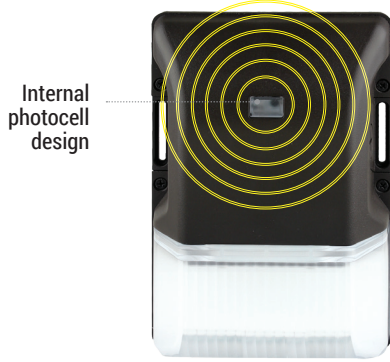
-  -  -

Series	Wattage	CCT
PT-WPM2 Mini Wall Pack Series with CCT Tunable	15W 20W 30W	3CCT (30K/40K/50K)

Option
Photocell standard

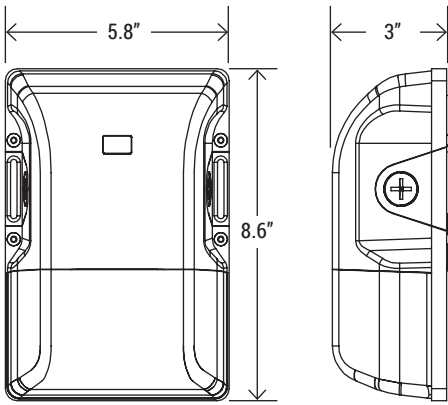
Catalog Number:	Project Name:	Note:	Date:	Type:
-----------------	---------------	-------	-------	-------

**DUSK** TO **DAWN**



AUTOMATICALLY TURN ON AT DUSK AND TURN OFF AT DAWN FOR UP TO 70% OF ENERGY SAVING.

**DIMENSION**



DLC LISTING

CATALOG NUMBER	WATTAGE	DELIVERED LUMENS	EFFICACY	CCT	DLC PRODUCT ID	CLASSIFICATION
PT-WPM2-15W	15W	2,129	137 lm/W	@5000K	PLMZ5EXRZGTD	PREMIUM
PT-WPM2-20W	20W	2,600	130 lm/W	@5000K	PL31A99KX4XF	PREMIUM
PT-WPM2-30W	30W	3,766	125 lm/W	@5000K	PL8SDT04ZZ44	PREMIUM