

Catalog Number:	Project Name:	Note:	Date:	Type:
-----------------	---------------	-------	-------	-------

The FLS1 flood light series combines energy efficiency and advance optical control. The slim profile delivers enhanced lighting performance. Robust housing can withstand harsh outdoor environments.

Available with knuckle mount or a u-bracket mount for convenient mounting option. Ideal use for facades, outdoor, signage, shopping centers, industrial areas and other outdoor places with spot lighting is needed.

TUNABLE  
**3 CCT**  
SELECTABLE



Slipfitter Mount



U-Bracket Mount

**CONSTRUCTION**

Die-cast aluminum housing with excellent heat management equipped for long lasting durability. Weather-proof gasketed that is IP65 rated. Small slim profile make it versatile for various different application.

**ELECTRICAL**

Luminaire is built with the highest quality driver that is Universal Voltage (120-277V), uses long lasting, high-efficient LED packages.

**OPTICAL SYSTEM**

Clear tempered glass lens is designed to reduce glare and improve overall light distribution through precision formed lens optics.

**PHOTOCELL**

With integrated photocell, ON/OFF features standard.

**ENERGY SAVINGS**

Over 50% energy savings than traditionally fluorescent fixtures, low heat productions requires less maintenance and operation cost.

**LISTING**

UL Listed, DLC Premium Listed, FCC, RoHS, CE, IP65 rated.

**WARRANTY**

5 year Limited Warranty, Rated for 50,000 hours.

WATTAGE	DELIVERED LUMENS	EFFICACY
15W	2,097	135 lm/W
35W	4,641	129 lm/W
60W	7,782	130 lm/W
105W	13,243	127 lm/W
140W	17,894	127 lm/W

Based on 5000K, 80 CRI. Actual lumens may vary.

**TECHNICAL SPECIFICATION**

CCT	3000K/4000K/5000K
CRI	80+
DIMMABLE	0-10V dimming
VOLTAGE	120V-277V
POWER FREQUENCY	50/60 Hz
BEAM ANGLE	145°
POWER FACTOR	>0.9
THD	≤15%
WORKING TEMPERATURE	-40°F - +113°F
STORAGE TEMPERATURE	-40°F - +158°F
IP RATING	IP65 Wet Location
WARRANTY	5 year limited



**ORDERING SAMPLE: PT-FLS1-60W-3CCT-KM**

Series	Wattage	CCT	Mounting
PT-FLS1 Floodlight	15W 35W 60W	3CCT (3000K/4000K/5000)	KM (Knuckle) UB (U-Bracket)
	105W 140W		SF (Slipfitter) UB (U-Bracket)

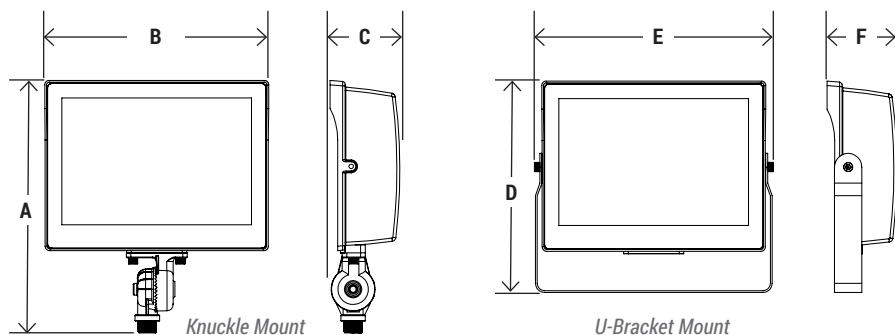
**JUNCTION BOX OPTION**



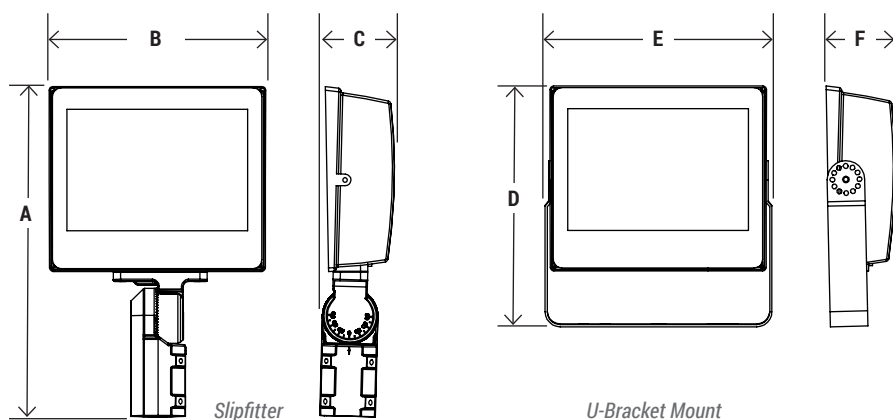
JB-FL  
Floodlight Junction Box for  
Knuckle Mounting Option

Catalog Number:	Project Name:	Note:	Date:	Type:
-----------------	---------------	-------	-------	-------

**DIMENSION**



CATALOG NUMBER	A	B	C	D	E	F	EPA
PT-FLS1-15W-3CCT PT-FLS1-35W-3CCT	9.2"	7.4"	2.6"	7.2"	7.9"	2.6	0.43ft <sup>2</sup>
PT-FLS1-60W-3CCT	10.9"	9.6"	3"	9.1"	9.6"	3"	0.68 ft <sup>2</sup>



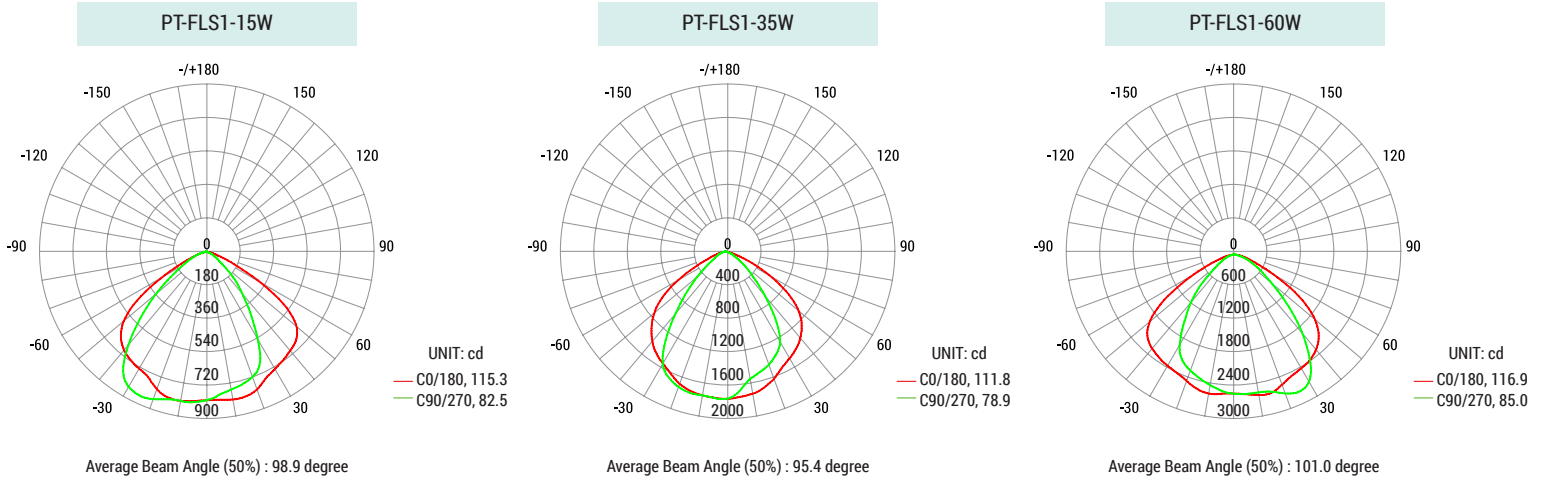
CATALOG NUMBER	A	B	C	D	E	F	EPA
PT-FLS1-105W-3CCT PT-FLS1-140W-3CCT	18"	11.8"	4"	13.1"	12.3"	3.7"	1.35 ft <sup>2</sup>



CATALOG NUMBER	WATTAGE	DELIVERED LUMENS	EFFICACY	CCT	DLC PRODUCT ID
PT-FLS1-15W	15W	2,097	135 lm/W	@5000K	PLQ084N9RJN1
PT-FLS1-35W	35W	4,641	129 lm/W	@5000K	PLXVZ78058PJ
PT-FLS1-60W	60W	7,782	130 lm/W	@5000K	PL1MXP2VBSE0
PT-FLS1-105W	105W	13,243	127 lm/W	@5000K	PL1LP6327GUY
PT-FLS1-140W	140W	17,894	127 lm/W	@5000K	LN4LF31GR4V

Catalog Number:	Project Name:	Note:	Date:	Type:
-----------------	---------------	-------	-------	-------

**PHOTOMETRY**



**CCT ADJUSTABLE/PHOTOCELL (ON/OFF)** Located on top of the fixture with gasketed cover for protection from the elements

