

INSTALLATION INSTRUCTIONS

PT-LS-SR SERIES

PT-LS-2F-3CP-SR / PT-LS-4F-3CP-SR
PT-LS-8F-3CP-SR

PORTOR
LIGHTING
a PORTOR INDUSTRY brand



WARNING

- TO REDUCE THE RISK OF DEATH, PERSONAL INJURY OR PROPERTY DAMAGE FROM FIRE, ELECTRIC SHOCK, FALLING PARTS, CUTS/ABRASIONS, AND OTHER HAZARDS READ ALL WARNINGS AND INSTRUCTIONS INCLUDED WITH AND ON THE FIXTURE BOX AND ALL FIXTURE LABELS.
- BEFORE INSTALLING, SERVICING, OR PERFORMING ROUTINE MAINTENANCE UPON THIS EQUIPMENT, FOLLOW THESE GENERAL PRECAUTIONS.
- COMMERCIAL INSTALLATION, SERVICE AND MAINTENANCE OF LUMINAIRES SHOULD BE PERFORMED BY A QUALIFIED LICENSED ELECTRICIAN.
- **FOR THE INSTALLATION:** IF YOU ARE UNSURE ABOUT THE INSTALLATION OR MAINTENANCE OF THE LUMINAIRES, CONSULT A QUALIFIED LICENSED ELECTRICIAN AND CHECK YOUR LOCAL ELECTRICAL CODE.
- TO PREVENT WIRING DAMAGE OR ABRASION, DO NOT EXPOSE WIRING TO EDGES OF SHEET METAL OR OTHER SHARP OBJECTS.
- DO NOT MAKE OR ALTER ANY OPEN HOLES IN AN ENCLOSURE OF WIRING OR ELECTRICAL COMPONENTS DURING KIT INSTALLATION.

CAUTION

- AVOID DIRECT EYE EXPOSURE TO THE LIGHT SOURCE WHILE IT IS ON.
- ACCOUNT FOR SMALL PARTS AND DESTROY PACKING MATERIALS, AS THESE MAY BE HAZARDOUS TO CHILDREN.
- **RISK OF BURN.** DISCONNECT POWER AND ALLOW FIXTURE TO COOL BEFORE CHANGING BULB OR HANDLING FIXTURE.

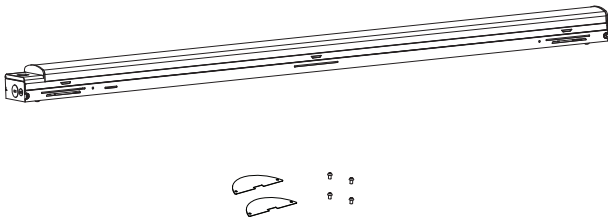
WARNING

- TURN OFF ELECTRICAL POWER AT FUSE OR CIRCUIT BREAKER BOX BEFORE WIRING FIXTURE TO THE POWER SUPPLY.
- TURN OFF THE POWER WHEN YOU PERFORM ANY MAINTENANCE.
- VERIFY THAT SUPPLY VOLTAGE IS CORRECT BY COMPARING IT WITH THE LUMINAIRE LABEL INFORMATION.
- ALL WIRING CONNECTIONS SHOULD BE CAPPED WITH UL APPROVED WIRE CONNECTORS.

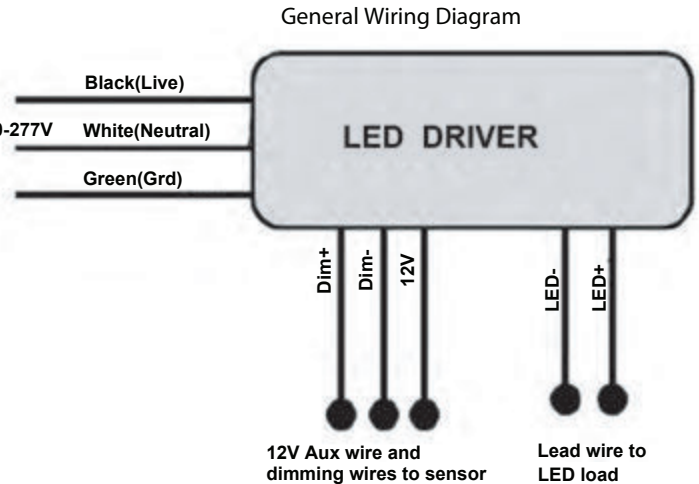
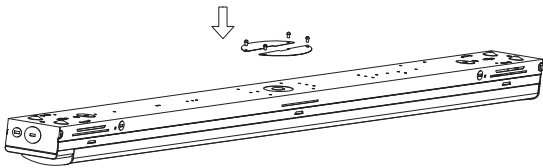
INSTALLATION (ALWAYS TURN OFF THE POWER SUPPLY FROM MAIN CIRCUIT BREAKER FIRST!)

SURFACE MOUNTING

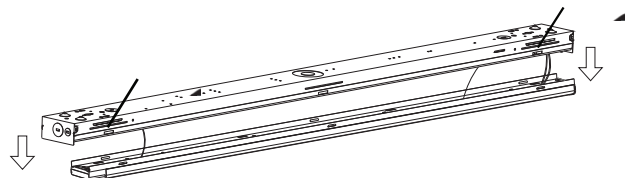
1. Take out the light fixture and accessories package from the box.



2. Fix the baffle onto the back of the fixture with screws.



3. Open the luminous part down by pressing the area between the narrow strip hole and snap-lock.

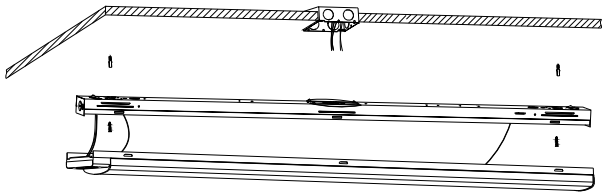


*NOTE: Must be connected to dimming low voltage wire if needed.

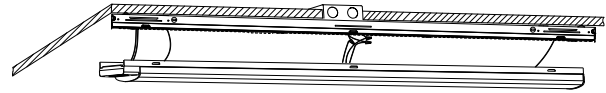
INSTALLATION (ALWAYS TURN OFF THE POWER SUPPLY FROM MAIN CIRCUIT BREAKER FIRST!)

SURFACE MOUNTING (cont)

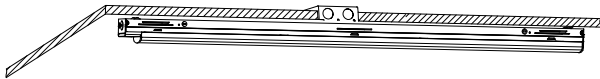
4. Pull AC wires and dimming wires through the outlet hole, then fix the luminaire to the ceiling with anchors and screws (not included).



5. Use appropriate UL approved wire connectors as required by code to complete wiring with main power and dimming wires*.



6. Assemble the module board upwards. The installation is completed.

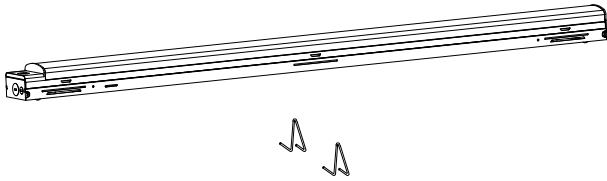


*NOTE: Must be connected to dimming low voltage wire if needed.

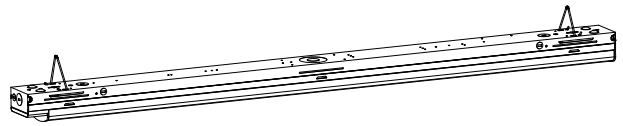
INSTALLATION (ALWAYS TURN OFF THE POWER SUPPLY FROM MAIN CIRCUIT BREAKER FIRST!)

CHAIN SUSPENDED MOUNTING

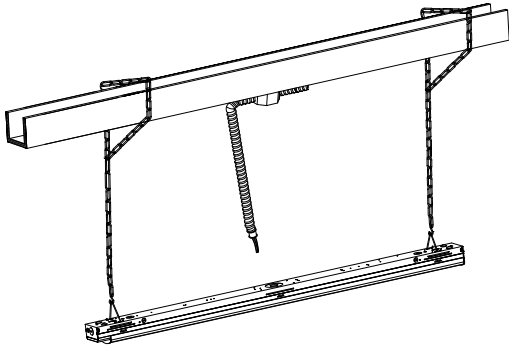
1. Take out the light fixture and accessories package from the box.



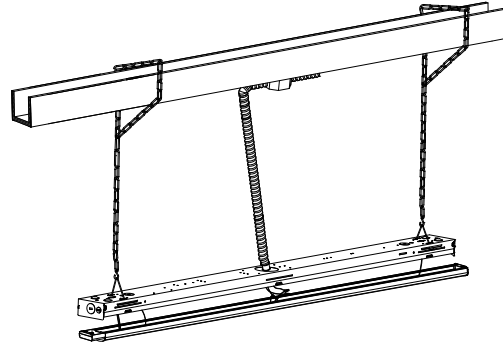
2. Connect the V-hook to back of the fixture body.



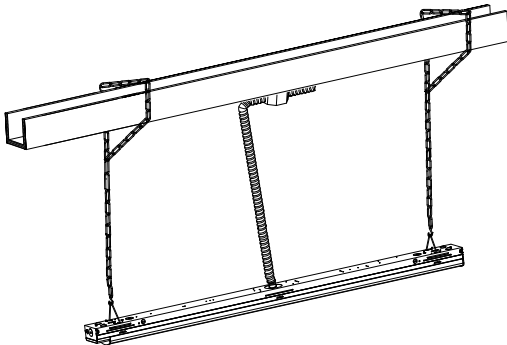
3. Attach chain to the V-hooks to hang the luminaire.



4. Fix the end of pipe to the outlet hole. Open the fixture body and connect the AC wires and dimming wires*.



5. Reattach the luminous part to the housing to complete the installation.

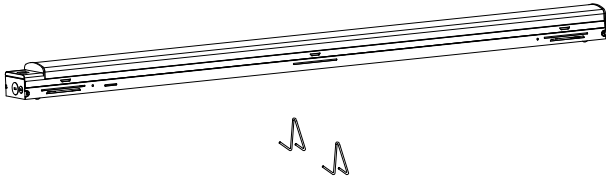


*NOTE: Must be connected to dimming low voltage wire if needed.

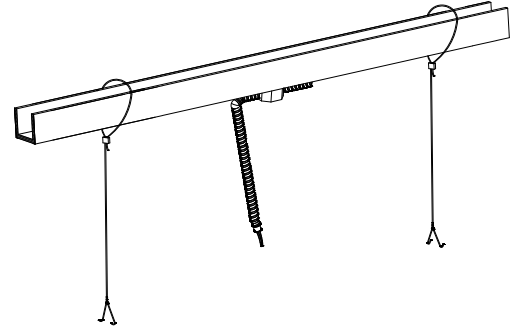
INSTALLATION (ALWAYS TURN OFF THE POWER SUPPLY FROM MAIN CIRCUIT BREAKER FIRST!)

CABLE SUSPENDED MOUNTING

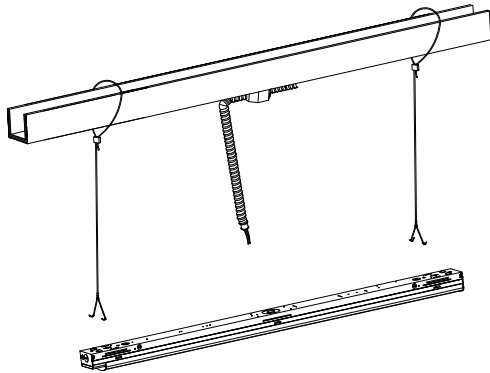
1. Take out the light fixture and accessories package from the box.



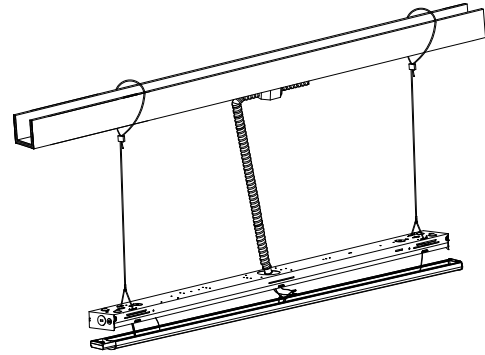
2. Attach V-hooks to the cable.



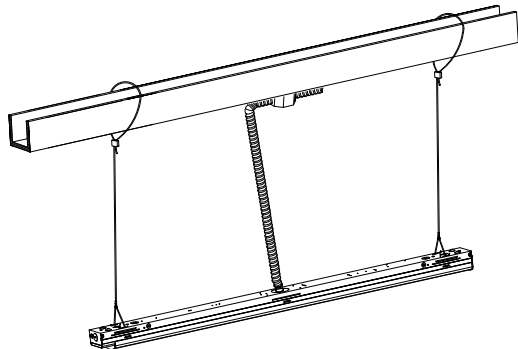
3. Attach the V-hooks to the fixture body to hang the luminaire.



4. Fix the end of pipe to the outlet hole. Open the fixture body and connect the AC wires and dimming wires*.



5. Reattach the luminous part to the housing to complete the installation.



*NOTE: Must be connected to dimming low voltage wire if needed.

INSTALLATION (ALWAYS TURN OFF THE POWER SUPPLY FROM MAIN CIRCUIT BREAKER FIRST!)

ADDITIONAL ACCESSORIES

U-Smart bracket is a patent sensor bracket. The sensor hole is covered with a removable plate. There is a flexible flat cable with connector secured to the back of the plate. You are free to decide whether to install the approved sensor or not on site.

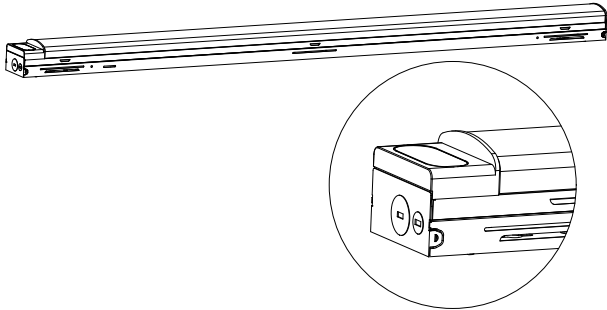


Figure 1

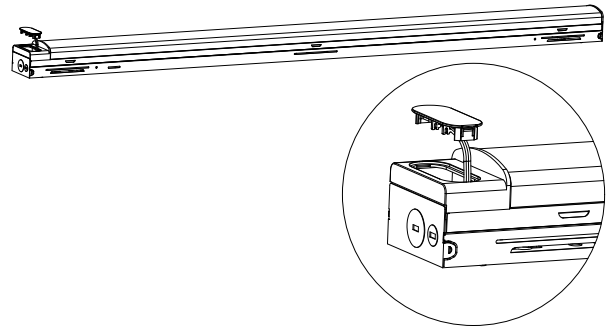


Figure 2

Step 1: Remove the plate before or after you install the fixture. (Figure 1 and Figure 2)

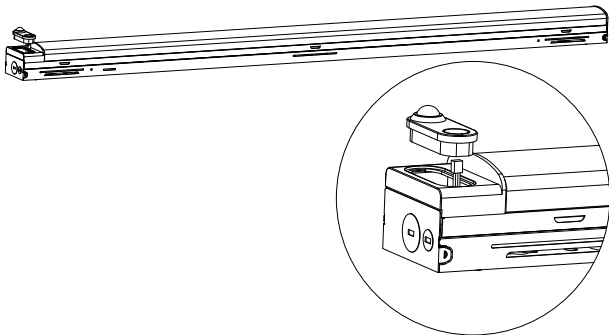


Figure 3

Step 2: Remove the flat cable from the back of the plate and insert the connector into the terminal of the approved sensor. (Figure 3)

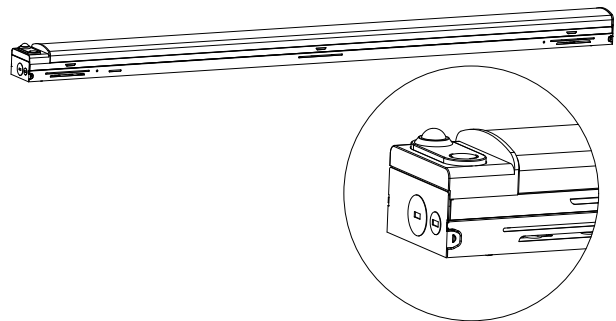
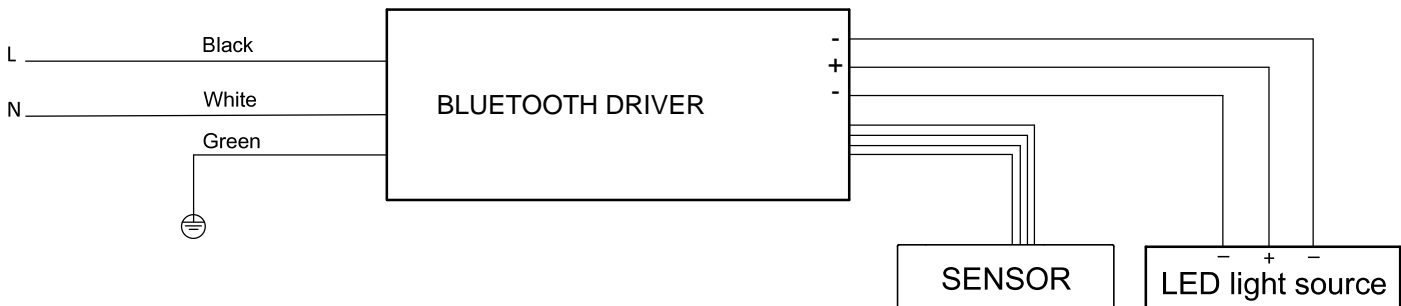


Figure 4

Step 3: Install the approved sensor and make sure it is securely fit. (Figure 4)

GENERAL WIRING DIAGRAM



*NOTE: Must be connected to dimming low voltage wire if needed.