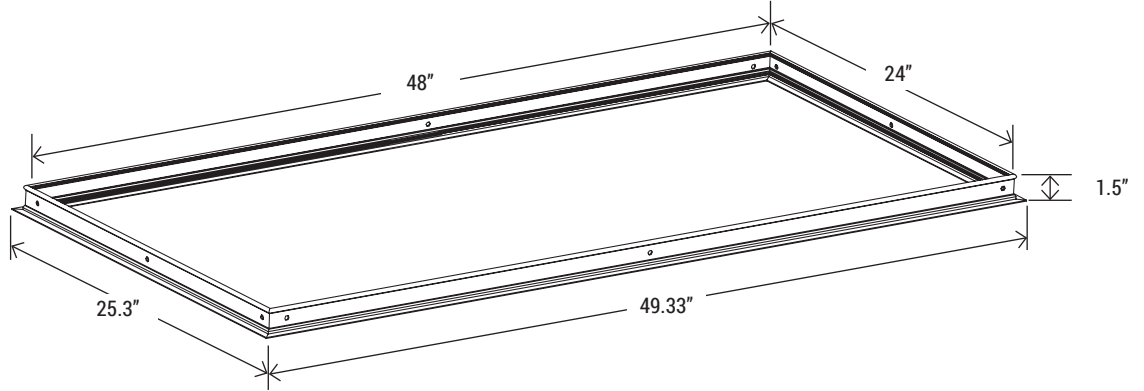
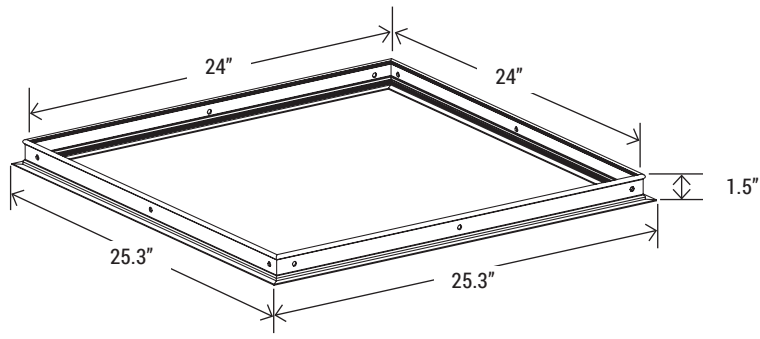


Project Name:	Notes:	Date:	Type:
---------------	--------	-------	-------

**FK-24**  
2' x 4' Flange Kit



**FK-22**  
2' x 2' Flange Kit



**FK-14**  
1' x 4' Flange Kit

