

Catalog Number:	Project Name:	Note:	Date:	Type:
-----------------	---------------	-------	-------	-------

**6th Generation Flat Panel**

Portor's 6th Generation BLP6 series produce industry-leading performance with deep energy savings and continuous dimming. The compact, slick profile produces uniform and glare free lumen output.

Perfect application for retail stores, schools, offices, markets and restaurant.



**CONSTRUCTION**

Durable solid frame, prefabricated paint with matte white finished. Slim profile design. Integrated T-Bar mounting clips built in onto the fixture for easy installation.

**ELECTRICAL**

Luminaire is built with the highest quality driver that is Universal Voltage (120V-277V), uses long lasting, highly-efficient LED packages.

**DRIVER**

Driver is fixed on the back of the panel or side to prevent mis-handling during shipment.

**OPTICAL SYSTEM**

Back-lit optics produces uniform light output, diffuser lens reduces glare and improve overall energy efficiency.

**DIMMING**

Continuous dimming (0-10V) comes standard.

**ENERGY SAVINGS**

Over 50% energy savings than traditionally fluorescent fixtures, low heat productions requires less maintenance and operation cost.

**LISTING**

ETL Listed, DLC listed, FCC, RoHS, CE

**WARRANTY**

5 Years Limited Warranty, Rated for 50,000 hours (See Warranty documentation for details).

WATTAGE	DELIVERED LUMENS	EFFICACY
25W	3,029 @ 3500K	120 lm/W
	3,172 @ 4000K	130 lm/W
	3,017 @ 5000K	119 lm/W
30W	3,538 @ 3500K	116 lm/W
	3,739 @ 4000K	127 lm/W
	3,529 @ 5000K	115 lm/W
40W	4,563 @ 3500K	110 lm/W
	4,875 @ 4000K	124 lm/W
	4,519 @ 5000K	109 lm/W

*Lumens are based on IES test results.*

**TECHNICAL SPECIFICATION**

CCT	3500K/4000K/5000K
CRI	80+
DIMMABLE	0-10V dimming
VOLTAGE	120V-277V
POWER FREQUENCY	50/60 Hz
POWER FACTOR	>0.9
THD	≤20%
DRIVER EFFICIENCY	>85%
RATING	IP40, Suitable for damp locations
WARRANTY	5 year limited



ORDERING SAMPLE:  -  -

-

Series	Size	CCT/Wattage	Accessories/Options	
<b>PT-BLP6</b> LED Back-Lit Flat Panel with CCT and Wattage Selector Series	<b>22</b> - (2' x 2')	<b>3CP</b> (CCT: 3500K/4000K/5000K) (Wattage: 25W/30W/40W)	EM Battery	Other
			___ Blank EM PT-EMG-15W	___ Blank SMK-BLP-22 FK-22

Catalog Number:	Project Name:	Note:	Date:	Type:
-----------------	---------------	-------	-------	-------

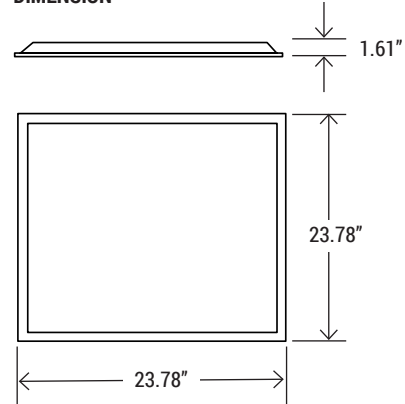


Front



Back

**DIMENSION**



**QTY/CARTON**



**PIECES**

Maintenance-free optical module sealed for life; no internal cleaning required.

**EM BATTERY OPTION**



EM (PT-EMG-8W) Standard

PT-EMG-15W

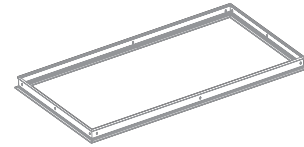
Low Voltage EM Battery (Additional cost)

**OTHER**



SMK-BLP-22

Surface mount kit for the 2x2 panel



FK-22

Flange kit for the 2x2 panel



**DLC LISTING**

CATALOG NUMBER	WATTAGE	DELIVERED LUMENS	EFFICACY	DLC PRODUCT ID	CLASSIFICATION
PT-BPL6-22-3CP	40W	4,440 @ 3500K	110 lm/W	S-GLRJTO	REGULAR