

INSTALLATION INSTRUCTIONS

PT-LS-H0 Series

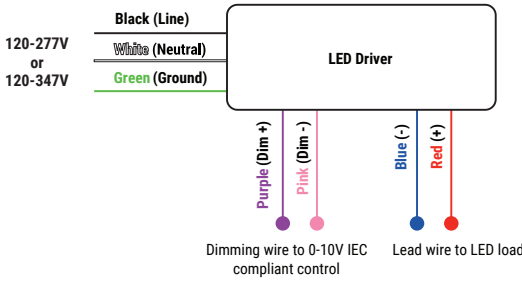
PT-LS-H0-4F-3CP / PT-LS-H0-8F-3CP



WARNING

- TO REDUCE THE RISK OF DEATH, PERSONAL INJURY OR PROPERTY DAMAGE FROM FIRE, ELECTRIC SHOCK, FALLING PARTS, CUTS/ABRASIONS, AND OTHER HAZARDS READ ALL WARNINGS AND INSTRUCTIONS INCLUDED WITH AND ON THE FIXTURE BOX AND ALL FIXTURE LABELS.
- BEFORE INSTALLING, SERVICING, OR PERFORMING ROUTINE MAINTENANCE UPON THIS EQUIPMENT, FOLLOW THESE GENERAL PRECAUTIONS.
- COMMERCIAL INSTALLATION, SERVICE AND MAINTENANCE OF LUMINAIRES SHOULD BE PERFORMED BY A QUALIFIED LICENSED ELECTRICIAN.
- FOR THE INSTALLATION: IF YOU ARE UNSURE ABOUT THE INSTALLATION OR MAINTENANCE OF THE LUMINAIRES, CONSULT A QUALIFIED LICENSED ELECTRICIAN AND CHECK YOUR LOCAL ELECTRICAL CODE.
- TO PREVENT WIRING DAMAGE OR ABRASION, DO NOT EXPOSE WIRING TO EDGES OF SHEET METAL OR OTHER SHARP OBJECTS.
- DO NOT MAKE OR ALTER ANY OPEN HOLES IN AN ENCLOSURE OF WIRING OR ELECTRICAL COMPONENTS DURING KIT INSTALLATION.

GENERAL WIRING DIAGRAM



WARNING

- TURN OFF ELECTRICAL POWER AT FUSE OR CIRCUIT BREAKER BOX BEFORE WIRING FIXTURE TO THE POWER SUPPLY.
- TURN OFF THE POWER WHEN YOU PERFORM ANY MAINTENANCE.
- VERIFY THAT SUPPLY VOLTAGE IS CORRECT BY COMPARING IT WITH THE LUMINAIRE LABEL INFORMATION.
- ALL WIRING CONNECTIONS SHOULD BE CAPPED WITH UL APPROVED WIRE CONNECTORS.

CAUTION

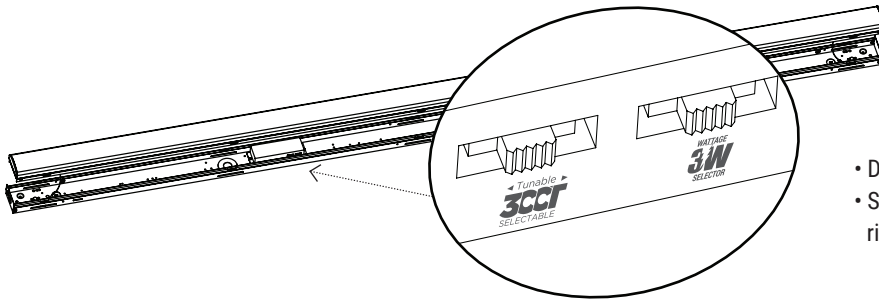
- AVOID DIRECT EYE EXPOSURE TO THE LIGHT SOURCE WHILE IT IS ON.
- ACCOUNT FOR SMALL PARTS AND DESTROY PACKING MATERIAL, AS THESE MAY BE HAZARDOUS TO CHILDREN.
- RISK OF BURN. DISCONNECT POWER AND ALLOW FIXTURE TO COOL BEFORE CHANGING BULB OR HANDLING FIXTURE.

NOTICE

- GREEN GROUND SCREW PROVIDED IN PROPER LOCATION. DO NOT RELOCATE.
- MINIMUM 90° SUPPLY CONDUCTORS.
- SPECIFICATIONS SUBJECT TO CHANGE WITHOUT NOTICE.
- SUITABLE FOR DRY OR DAMP LOCATION.

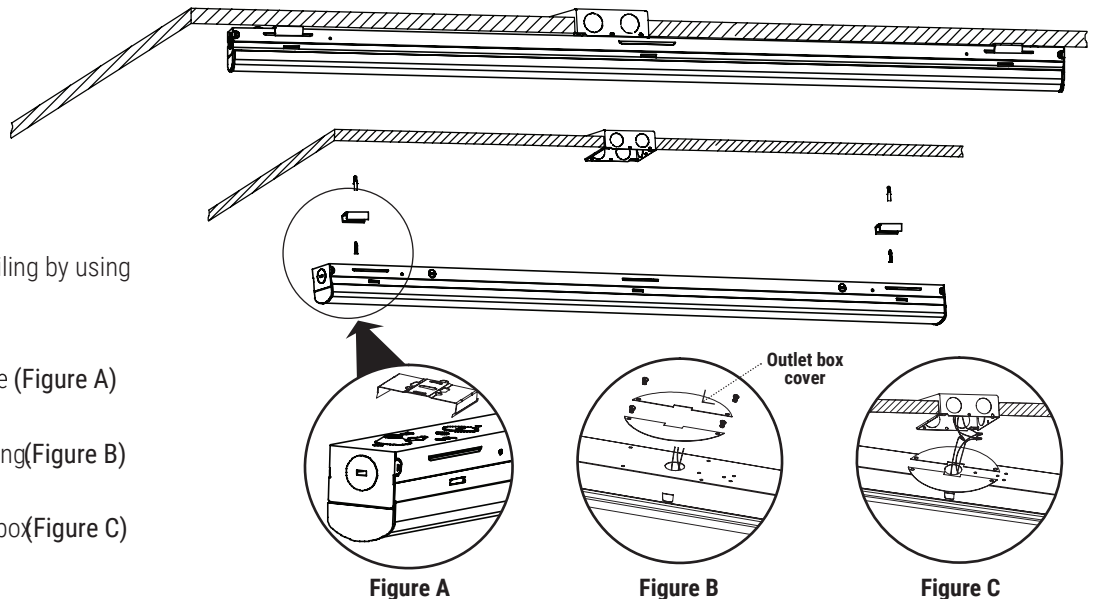
INSTALLATION (ALWAYS TURN OFF THE POWER SUPPLY FROM MAIN CIRCUIT BREAKER FIRST!)

CCT AND WATTAGE SELECTOR



- DIP switches are located onto the drive box.
- Select a wattage and color temperature by sliding switch left or right respectively to the desired value.

SURFACE MOUNTING



- Step 1:**
Secure the provided brackets onto the ceiling by using the anchor provided and screws.
- Step 2:**
Then clip the brackets to the slots of fixture (Figure A)
- Step 3:**
Screw the covers at the back of the housing (Figure B)
- Step 4:**
Wire to main power through the junction box (Figure C)

SUSPENDED MOUNTING

Step 1:

Connect the V-hook to the lamp. (Figure A)

Step 2:

Attach customer supplied chain to the V-hooks. (Figure B)

Step 3:

Connect the AC wires. (Figure C)

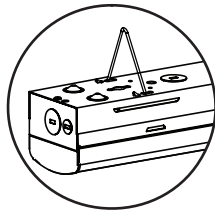
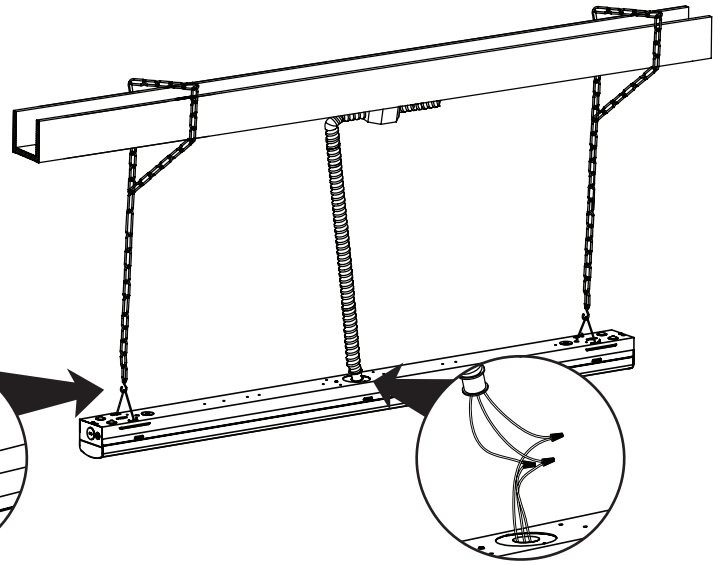


Figure A

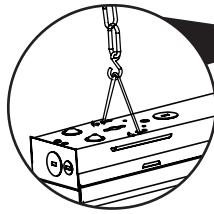


Figure B

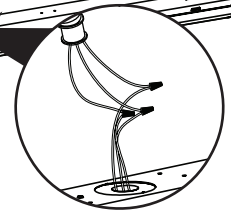
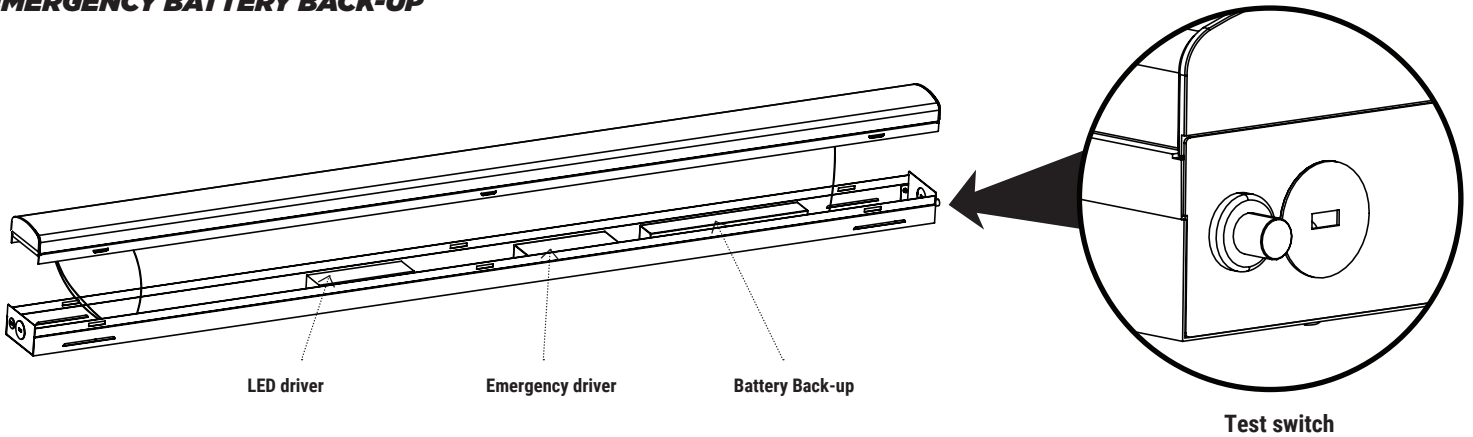


Figure C

EMERGENCY BATTERY BACK-UP



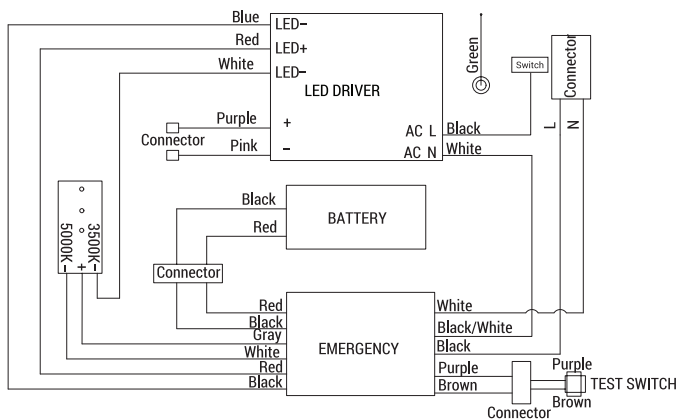
LED driver

Emergency driver

Battery Back-up

Test switch

IF EMERGENCY COLOR TEMPERATURE IS 5000K



IF EMERGENCY COLOR TEMPERATURE IS 3500K

