

INSTALLATION INSTRUCTIONS

PT-DLSM2-R SERIES

PT-DLSM2-R-111-24W-5CCT

PORTOR
LIGHTING
a PORTOR INDUSTRY brand



TUNABLE
5CCT
SELECTABLE

ROUND
SURFACE
MOUNT DOWNLIGHT

CAUTION: RISK OF ELECTRIC SHOCK

DISCONNECT POWER BEFORE CONNECTING THE FIXTURE. FAIL TO DO SO MAY PERMANENTLY DAMAGE THE LEDS.

WARNING

DO NOT REMOVE OR ATTEMPT TO REMOVE LEDS.

SAFETY PRECAUTIONS

FOR SAFETY, READ AND UNDERSTAND INSTRUCTIONS COMPLETELY BEFORE STARTING INSTALLATION. ELECTRICITY SHOULD BE TURNED OFF AT THE FUSE OR THE CIRCUIT BREAKER BOX BEFORE INSTALLING THE FIXTURE. ALL ELECTRICAL CONNECTIONS MUST BE IN ACCORDANCE WITH N. E. C. OR YOUR LOCAL CODE.

ASSEMBLY INSTRUCTIONS

1. PREPARING FOR INSTALLATION: DISCONNECT ELECTRICAL POWER BEFORE INSTALLING OR SERVICING ANY PART OF THIS FIXTURE.
2. THIS PRODUCT SHALL BE SURFACE MOUNTED WITH JUNCTION BOX OR NON-COMBUSTIBLE SURFACE ABOVE 4 FEET (1.2 METER) HIGH. USER SHOULD PREPARE NECESSARY ACCESSORIES AND SPARE PARTS (NOT PROVIDED) INCLUDING JUNCTION BOX AND SCREWS.

PACKAGE CONTENTS

A
LED Surface Mount



B
Mounting plate



C
Mounting screws

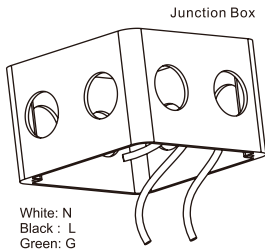


D
Wire nuts

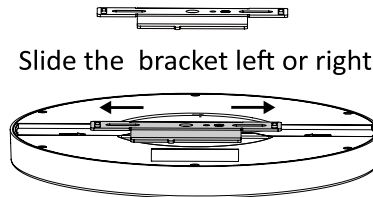


INSTALLATION (CONSULT A QUALIFIED ELECTRICIAN BEFORE INSTALLING)

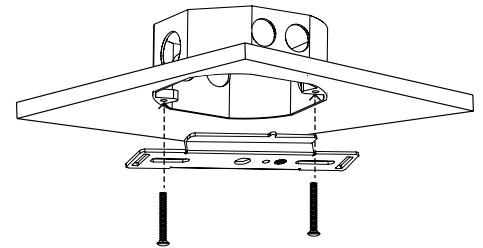
1. Make sure power is OFF and the J-BOX is securely mounted before installing the fixture.



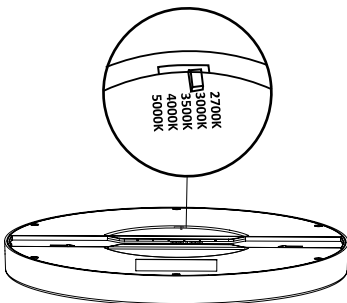
2. Remove the mounting bracket from the unit by pushing the clips in



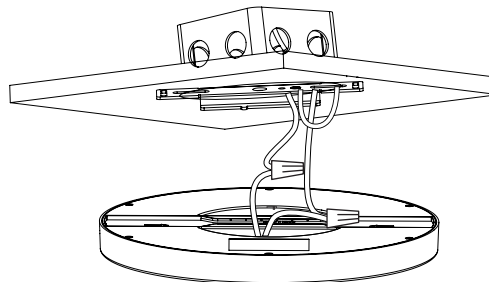
3. Refer to the hole position on the bracket and do the matching, hold mounting bracket up to junction box. Screws mounting bracket to j-box.



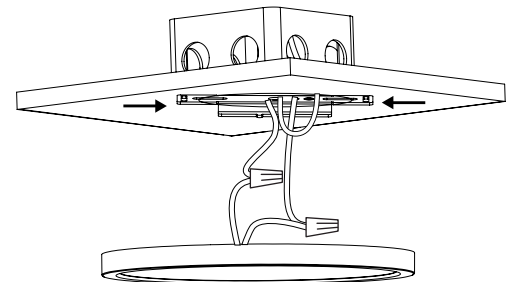
4. Push the switch to select the correct color temperature.



5. Connect the power wires with the wires of the fixture correctly by using the wire nuts. Attach white to white, black to black, green to the ground wire.



6. After installing the mounting bracket, push the product in the direction of the mounting bracket hole position.



FCC COMPLIANCE

THIS DEVICE COMPLIES WITH PART 15 OF THE FCC RULES. OPERATIONS IS SUBJECT TO THE FOLLOWING TWO CONDITIONS:

- (1) THIS DEVICE MAY NOT CAUSE HARMFUL INTERFERENCE, AND
- (2) THIS DEVICE MUST ACCEPT ANY INTERFERENCE RECEIVED, INCLUDING THAT MAY CAUSE UNDESIRE OPERATION.

CAUTION

CHANGES OR MODIFICATIONS NOT EXPRESSLY APPROVED BY THE PARTY RESPONSIBLE FOR COMPLIANCE COULD VOID THE USER'S AUTHORITY TO OPERATE THE EQUIPMENT.