

Catalog Number:	Project Name:	Note:	Date:	Type:
-----------------	---------------	-------	-------	-------

Portor's TRO2 luminaire with field-adjustable, and can be programmed with a CCT of 3500K, 4000K, or 5000K, eliminating the need to stock multiple color temperatures.

Ideal use for office spaces, walkways, schools/campuses, shopping centers, hospitality and health care industry.



SECOND GENERATION



CONSTRUCTION

Constructed of one-piece ribbed unitized housing and corners that interlock, preventing damage to luminaire. All sides and corners are turned in and hemmed, removing sharp edges for safe handling and installation.

ELECTRICAL

Luminaire is built with the highest quality 120-277VAC drivers.

OPTICAL SYSTEM

Designed to reduce glare and improve light distribution through precision formed lens optics.

DIMMING

0-10V dimmable standard

CONTROLS

Option available for dimmers and occupancy sensors (consult factory) to maximize energy savings.

LISTING

UL Listed, RoHS

WARRANTY

5 Years Limited Warranty

WATTAGE	DELIVERED LUMENS	EFFICACY
25W	3,511	up to 130 lm/W
30W	4,150	
35W	4,753	

Based on 4000K setting. Actual lumens may vary.

TECHNICAL SPECIFICATION

CCT	3500K/4000K/5000K
CRI	80
DIMMABLE	0-10V dimmable
BEAM ANGLE	120°
VOLTAGE	120V-277V, 50/60 Hz
POWER FACTOR	>0.9
THD	≤20%
WORKING TEMPERATURE	-40°F ~ 122°F
IP RATING	Suitable for damp locations
WARRANTY	5 year limited

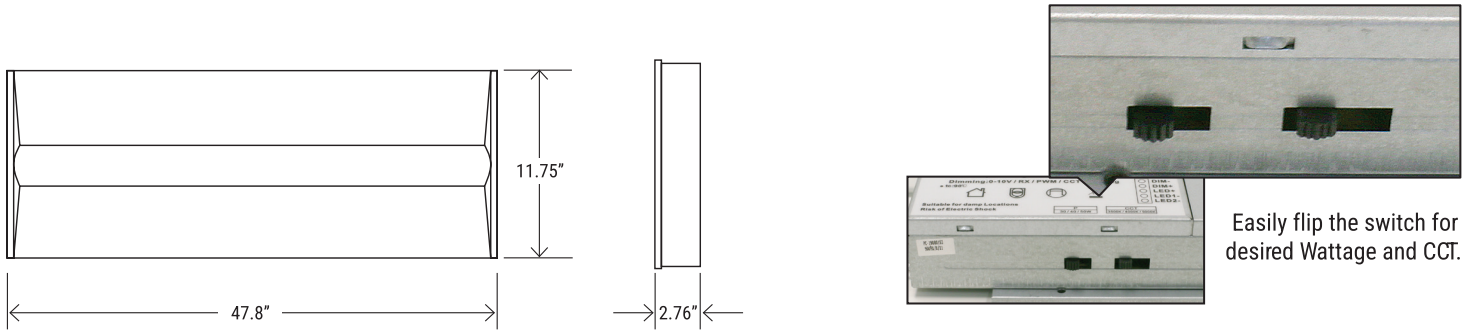


ORDERING SAMPLE: - - - -

Series	Size	CCT/ Wattage	Accessories/Options	
PT-TRO2 Second Generation Troffer	14 (1' x 4')	3CP (3500K/4000K/5000K) (25W/30W/35W)	Sensor	EM Battery
			MS or blank	EM or blank

Catalog Number:	Project Name:	Note:	Date:	Type:
-----------------	---------------	-------	-------	-------

DIMENSION



Easily flip the switch for desired Wattage and CCT.



CATALOG NUMBER	SIZE	INPUT WATTAGE	LUMENS RATED	EFFICACY RATED	CCT
PT-TRO2-14-3CP	1X4	25/30/35	3,250/3,900/4,550	130 lm/W	3500K/4000K/5000K
PT-TRO2-22-3CP	2X2	25/30/35	3,250/3,900/4,550	130 lm/W	3500K/4000K/5000K
PT-TRO2-24-3CP	2X4	34/38/45	4,420/4,940/5,850	130 lm/W	3500K/4000K/5000K

MOTION SENSOR

OPTIONS



MS-MW
Motion Sensor



PT-EM1-15W
LED Emergency Driver

MOUNTING KIT

OTHER



SMK-TRO-14
1'x4' Troffer Surface Mount Kit



FK-14
1'x4' Flange Kit



MC-5W-SC-6F
MC series metal flex whip

Catalog Number:	Project Name:	Note:	Date:	Type:
-----------------	---------------	-------	-------	-------

MOTION SENSORS



PT-BTN
Bluetooth Node



PT-A-EMS-MW
Microwave Eco Sensor



PT-MS-21-BT-JB
Bluetooth Dual Tech Ceiling Sensor

CONTROLLERS



PT-BT-6
Bluetooth Fixture Sensor



PT-BTC-EM
Bluetooth EM Controller



PT-RTC-D-BT
Bluetooth Real Time Clock/
Energy Monitoring USB-A
Dongle



PT-GTB-D-BT
Bluetooth Gateway Bridge
USB-A Dongle



WALL SWITCHES



PT-5WS-BT-B
Battery 5 Button Wall Switch



PT-3WS-BT-B
Battery 3 Button Wall Switch



PT-3WS-BT-A
AC 3 Button Wall Switch



PT-1WS-MS-BT-A
PIR Sensor Wall Switch