

Catalog Number:	Project Name:	Note:	Date:	Type:
-----------------	---------------	-------	-------	-------

The HBU3-300W Round High Bay fixture is efficient, durable and designed to withstand harsh conditions with its remarkable heat dissipation, dust-tight body and resistance to water. With a CCT of 5000K.

Premium quality provides excellent solution for high-ceiling mount applications, especially in warehouse, storage, gymnasiums, retail spaces and convention centers.



CONSTRUCTION

Die-cast aluminum heat sink provides superior thermal transfer to extend lifespan of the luminaire. Built rugged to withstand harsh conditions, IP65 rated. Fixture comes standard with J-hook for suspended mounting.

ELECTRICAL

Luminaire is built with the highest quality driver that is Universal Voltage (120-277V), uses long lasting, high-efficient LED packages.

LENS

Clear PC lens.

SENSOR READY

Motion sensor ready (optional).

ENERGY SAVINGS

Over 50% energy savings than traditional fixtures, low heat productions requires less maintenance and operation cost.

LISTING

UL Listed, DLC Premium Listed, FCC, RoHS, CE, IP65 rated

WARRANTY

5 year Limited Warranty, Rated for 50,000 hours.
See Warranty documentation for details.

WATTAGE	DELIVERED LUMENS	EFFICACY
PT-HBU3-300W-50K	45,384	153 lm/W

TECHNICAL SPECIFICATION

CCT	5000K
CRI	80
DIMMABLE	0-10V dimming
BEAM ANGLE	90°
VOLTAGE	120V - 277V
POWER FREQUENCY	50/60 Hz
POWER FACTOR	>0.9
THD	≤15%
WORKING TEMPERATURE	-40°F ~ 122°F
STORAGE TEMPERATURE	-40°F ~ 176°F
IP RATING	IP65 Wet Location
WARRANTY	5 year limited



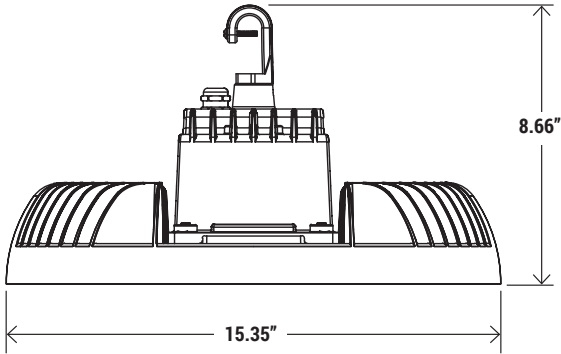
ORDERING SAMPLE:

- - - - - -

Series	Wattage	CCT	Voltage	Accessories/Options (Sold separately)		
PT-HBU3 Round High Bay	300W	50K (50K)	Blank (120-277V)	EM Battery	Motion Sensor	Mounting
				PT-A-EMU-40W	Blank (No option) MS-HBU3 RC1-HBU (Required)	Blank (No option) UB-HBU3-SM

Catalog Number:	Project Name:	Note:	Date:	Type:
-----------------	---------------	-------	-------	-------

DIMENSION



QTY/CARTON

1

PIECE

EM BATTERY OPTION



PT-A-EMU-40W
Emergency LED Driver For Round High Bay

SENSOR OPTION



MS-HBU3
Dimmable Motion Sensor



RC1-HBU
Remote Control (Required)

MOUNTING OPTION



UB-HBU3-SM
U-Bracket Mounting



DLC LISTING

CATALOG NUMBER	WATTAGE	DELIVERED LUMENS	EFFICACY	DLC PRODUCT ID	CLASSIFICATION
PT-HBU3-300W-50K	300W	45,384	153 lm/W	PL4RY78WYR0E	PREMIUM

Catalog Number:	Project Name:	Note:	Date:	Type:
-----------------	---------------	-------	-------	-------

MOTION SENSORS



PT-MS-35-BT
Bluetooth Audiojack Sensor



PT-MS-21-BT-JB
Bluetooth Dual Tech Ceiling Sensor

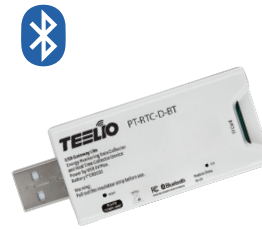
CONTROLLERS



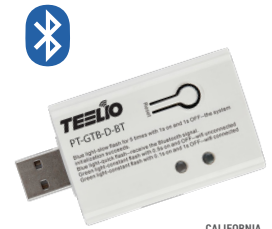
PT-BT-6
Bluetooth Fixture Sensor



PT-BTC-EM
Bluetooth EM Controller



PT-RTC-D-BT
Bluetooth Real Time Clock/
Energy Monitoring USB-A
Dongle



PT-GTB-D-BT
Bluetooth Gateway Bridge
USB-A Dongle



WALL SWITCHES



PT-5WS-BT-B
Battery 5 Button Wall Switch



PT-3WS-BT-B
Battery 3 Button Wall Switch



PT-3WS-BT-A
AC 3 Button Wall Switch



PT-1WS-MS-BT-A
PIR Sensor Wall Switch