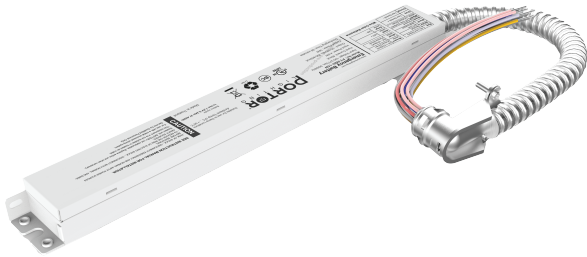


| | | | |
|---------------|--------|-------|-------|
| Project Name: | Notes: | Date: | Type: |
|---------------|--------|-------|-------|



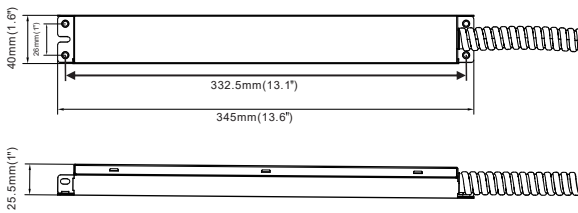
FEATURES

- Emergency battery for use with external drives
- Constant output power
- Self-testing
- High temperature protection

LISTING

- UL Listed for US and Canada

DIMMENSIONS 16W



TECHNICAL SPECIFICATION

| | |
|---------------------|----------------|
| EMERGENCY POWER | 16W |
| INPUT VOLTAGE | 100-277 VAC |
| POWER FREQUENCY | 50/60 Hz |
| INPUT CURRENT | 120mA max |
| INPUT POWER | 5W |
| RECHARGE TIME | 24 hrs |
| OUTPUT VOLTAGE | 20-52 VDC |
| EMERGENCY OPERATION | 90 mins |
| BATTERY TYPE | Li-ion |
| AMBIENT TEMP. | 32°F - 122°F |
| WARRANTY | 5 year limited |

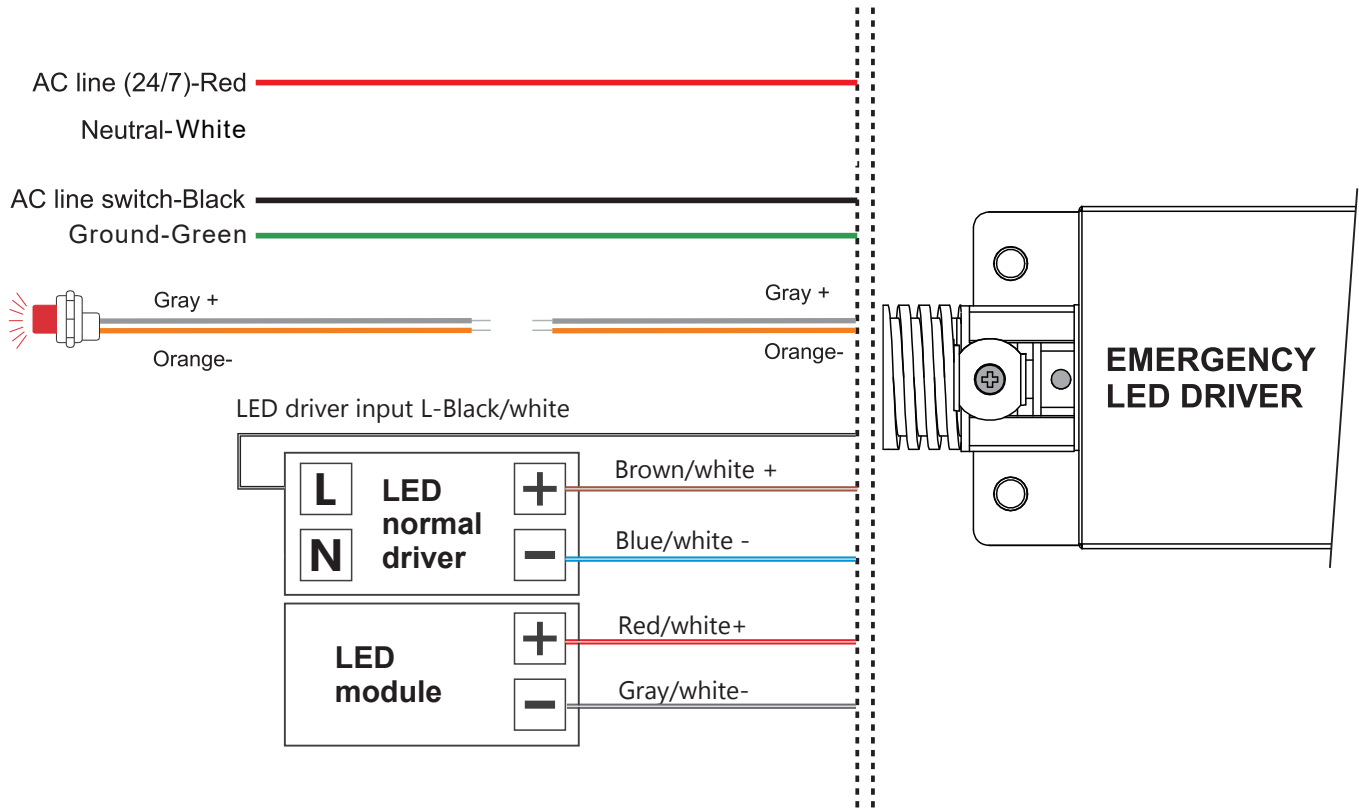


CAUTION:

- In order to avoid electric shock, during AC operation, do not touch or remove any wires.
- During emergency operation, before touching or disconnecting the wires, press the test button to turn the LED lamp and indicator light off to avoid electric shock .

| | | | |
|---------------|--------|-------|-------|
| Project Name: | Notes: | Date: | Type: |
|---------------|--------|-------|-------|

WIRING DIAGRAM



OPERATION

WHEN AC POWER FAILS, EMERGENCY LED DRIVER IMMEDIATELY SWITCHES TO THE EMERGENCY MODE, OPERATING THE LEDS AT A REDUCED LUMEN OUTPUT FOR A MINIMUM OF 90 MINUTES. WHEN AC POWER IS RESTORED, THE EMERGENCY DRIVER AUTOMATICALLY RETURNS TO THE CHARGING MODE.