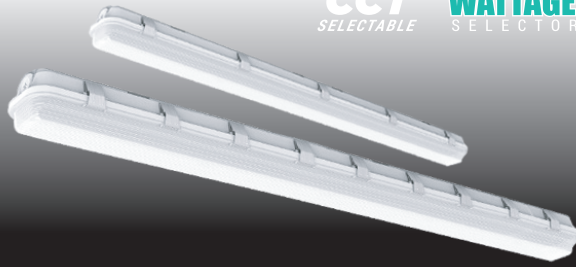


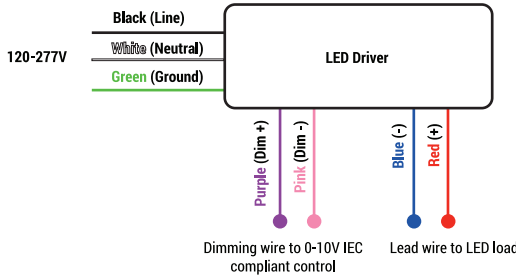
CCT SELECTABLE  
WATTAGE SELECTOR



### WARNING

- TO REDUCE THE RISK OF DEATH, PERSONAL INJURY OR PROPERTY DAMAGE FROM FIRE, ELECTRIC SHOCK, FALLING PARTS, CUTS/ABRASIONS, AND OTHER HAZARDS READ ALL WARNINGS AND INSTRUCTIONS INCLUDED WITH AND ON THE FIXTURE BOX AND ALL FIXTURE LABELS.
- BEFORE INSTALLING, SERVICING, OR PERFORMING ROUTINE MAINTENANCE UPON THIS EQUIPMENT, FOLLOW THESE GENERAL PRECAUTIONS.
- COMMERCIAL INSTALLATION, SERVICE AND MAINTENANCE OF LUMINAIRES SHOULD BE PERFORMED BY A QUALIFIED LICENSED ELECTRICIAN.
- FOR THE INSTALLATION: IF YOU ARE UNSURE ABOUT THE INSTALLATION OR MAINTENANCE OF THE LUMINAIRES, CONSULT A QUALIFIED LICENSED ELECTRICIAN AND CHECK YOUR LOCAL ELECTRICAL CODE.
- TO PREVENT WIRING DAMAGE OR ABRASION, DO NOT EXPOSE WIRING TO EDGES OF SHEET METAL OR OTHER SHARP OBJECTS.
- DO NOT MAKE OR ALTER ANY OPEN HOLES IN AN ENCLOSURE OF WIRING OR ELECTRICAL COMPONENTS DURING KIT INSTALLATION.

### GENERAL WIRING DIAGRAM



### WARNING

- TURN OFF ELECTRICAL POWER AT FUSE OR CIRCUIT BREAKER BOX BEFORE WIRING FIXTURE TO THE POWER SUPPLY.
- TURN OFF THE POWER WHEN YOU PERFORM ANY MAINTENANCE.
- VERIFY THAT SUPPLY VOLTAGE IS CORRECT BY COMPARING IT WITH THE LUMINAIRE LABEL INFORMATION.
- ALL WIRING CONNECTIONS SHOULD BE CAPPED WITH UL APPROVED WIRE CONNECTORS.

### CAUTION

- AVOID DIRECT EYE EXPOSURE TO THE LIGHT SOURCE WHILE IT IS ON.
- ACCOUNT FOR SMALL PARTS AND DESTROY PACKING MATERIAL, AS THESE MAY BE HAZARDOUS TO CHILDREN.
- RISK OF BURN. DISCONNECT POWER AND ALLOW FIXTURE TO COOL BEFORE CHANGING BULB OR HANDLING FIXTURE.

### NOTICE

- GREEN GROUND SCREW PROVIDED IN PROPER LOCATION. DO NOT RELOCATE.
- MINIMUM 90° SUPPLY CONDUCTORS.
- SPECIFICATIONS SUBJECT TO CHANGE WITHOUT NOTICE.
- SUITABLE FOR WET LOCATION.

## INSTALLATION (ALWAYS TURN OFF THE POWER SUPPLY FROM MAIN CIRCUIT BREAKER FIRST!)

### SURFACE MOUNTING

The fixture is suitable for outdoor applications in wet locations either ceiling or wall mounted.

1. Use appropriate mounting hardware (not supplied) to secure the Snap On Brackets to mounting surface. Refer to recommended Snap On Bracket in Fig.1 for 4FT & 8FT  
**WARNING:** Mount Snap On Brackets symmetrical about the center as shown in Fig. 1. Snap On Brackets must be aligned with each other to secure Housing.
2. In order to use an alternate entry point for 4FT & 8FT follow below steps 3-7.
3. Unlatch the Lens from Housing.
4. Snap out the LED & Heat Sink Assembly. Tether Cables (2 pcs for 4FT and 4 pcs on 8FT) are provided, if required.
5. Feed supply wires through one of the Conduit Plugs (5) to make electrical splices. Cord-grips (2) are provided and can be used based on application.
6. Use appropriate UL approved wire connectors as required by code to complete wiring with supply wires. Be careful not to pinch wires. Quick connector is provided for easy installation, if required.  
**WARNING:** To prevent wiring damage or abrasion, do not expose wiring to edges of sharp objects.
7. Snap in LED and Heat Sink Assembly and secure Lens to Housing by Latch. Be careful not to pinch wires. Check that gasket is fully sealed.
8. Snap Housing on Snap on Brackets as shown in Fig. 2
9. Use silicone or teflon tape on all conduit entry points.

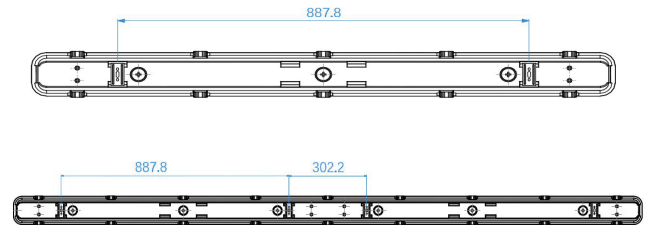


Fig. 1 4FT & 8FT

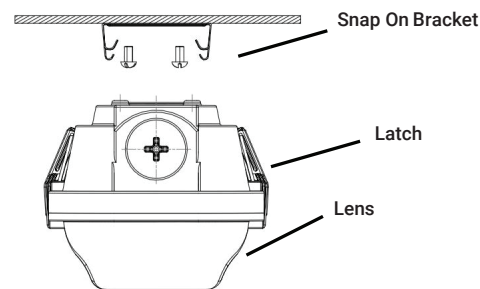


Fig. 2 SURFACE MOUNTING

**INSTALLATION** (ALWAYS TURN OFF THE POWER SUPPLY FROM MAIN CIRCUIT BREAKER FIRST!)

### V-HOOK MOUNTING

Suspend Housing to sturdy ceiling structure as follows:

1. Snap Housing on Snap On Brackets as shown in Fig 2.
2. In order to use an alternate entry point for 4FT & 8FT, follow steps 3-7 under Surface Mounting section.
3. V-Hooks (2 pcs on 4FT and 4 pcs on 8FT) are provided for chain mounting. Loop V-Hooks through Snap On Bracket at back of Housing as in Fig. 3
4. Connect to two (for 4FT and 4 pcs on 8FT) equal lengths of chain (by others) and/or appropriate hardware (by others) suitable for mounting surface, to suspend Housing from V-Hooks.
5. Fixture mounting height and spacing should be determined by application requirements. Use chain suitable to support (4) times the weight of the fixture.
6. Use silicone or teflon tape on all conduit entry points.

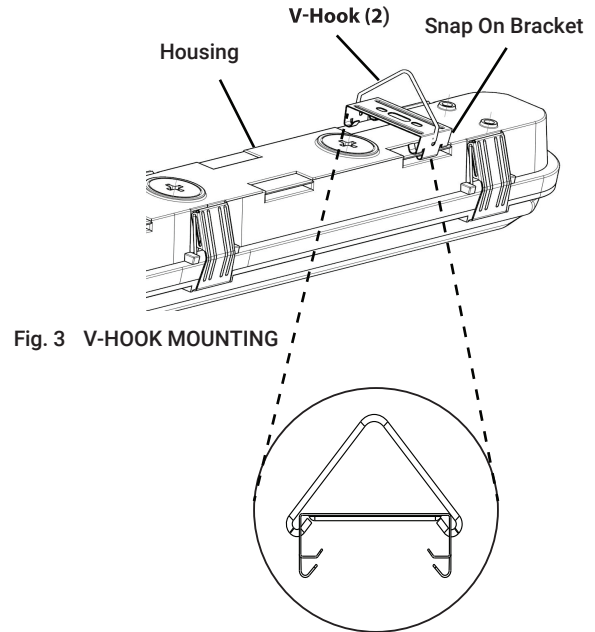


Fig. 3 V-HOOK MOUNTING

### 0-10V DIMMABLE WIRING

Universal voltage driver permits operation at 120V thru 277V, 50 or 60 Hz. For 0-10V Dimming, follow the wiring directions in Fig. 4.

1. Connect the black fixture lead to the LINE supply lead.
2. Connect the white fixture lead to the COMMON supply lead.
3. Connect the GROUND wire from fixture to supply ground.
4. Connect the purple fixture lead to the (V+) DIM lead.
5. Connect the gray fixture lead to the (V-) DIM lead.
6. Cap the yellow lead, if present. Do NOT connect.

NOTE: Do not connect DIM V+ (purple) / Dim V- (gray) to line voltage or supply ground.

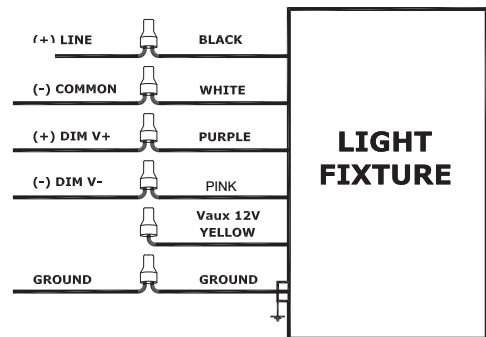


Fig. 4

**INSTALLATION** (ALWAYS TURN OFF THE POWER SUPPLY FROM MAIN CIRCUIT BREAKER FIRST!)

### FIELD-ADJUSTABLE WATTAGE & CCT

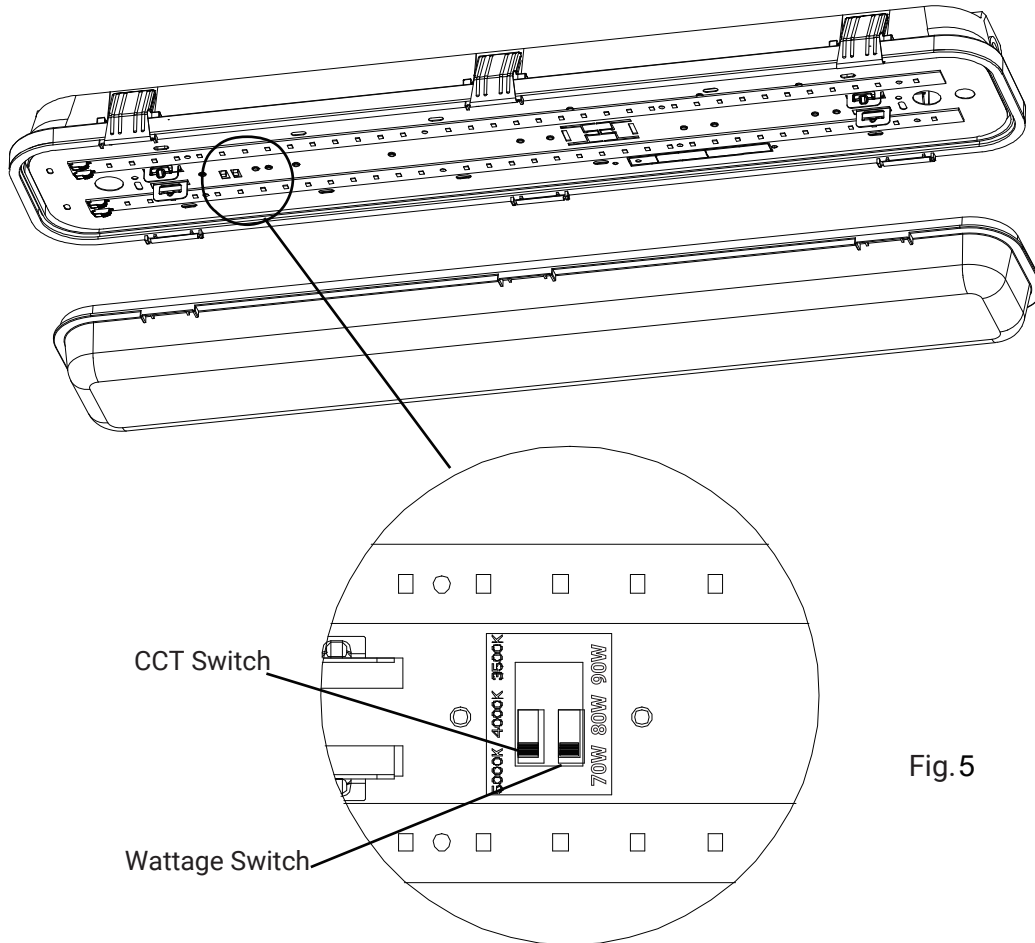


Fig.5

The end users may adjust the color temperature and lumen output respectively by the two DIP switch buttons. Each DIP switch is accommodated with 3 options (left, middle and right), corresponding to 3 color temperatures and 3 powers respectively, which can perform the desired color temperature and lumen output combination.

1. Release the latch and open the lens, then Snap out the LED & Heat Sink Assembly. Find the switch box on the back of the heat sink assembly.
2. Select a wattage and color temperature by sliding switch left or right respectively to the desired value. (Fig.5)
3. Snap in LED and Heat Sink Assembly and secure Lens to Housing by Latch. Be careful not to pinch wires.